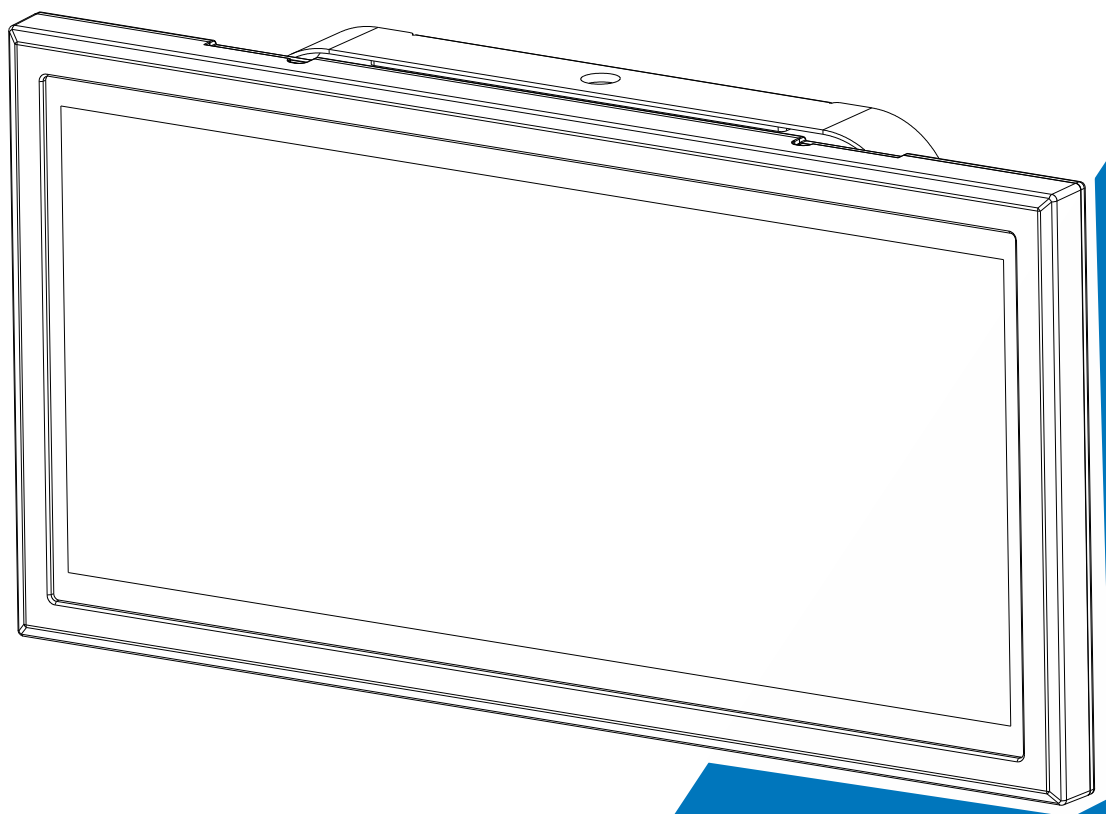


Acme[®]

DRUMMER



User Manual

Please read the instruction carefully before use

CONTENTS

01/ Safety Information.....	2
02/ Technical Specifications	4
03/ Overview.....	6
04/ Connecting Power and Data	7
4.1 Connecting Power.....	7
4.2 Connecting Data.....	8
05/ Fixture Installation.....	9
06/ Operation.....	16
6.1 Control Menu.....	16
6.2 Home Position Adjustment	26
07/ Configuring the Device for DMX Control.....	29
7.1 Address Setting.....	29
7.2 DMX Protocol	30
08/ Error Information	37
09/ Troubleshooting	38
10/ Fixture Cleaning.....	39

01/ Safety Information



Please read the instruction carefully which includes important information about the installation, usage and maintenance.

WARNING

Please keep this User Manual for future consultation. If you sell the unit to another user, be sure that they also receive this instruction manual.

Important:

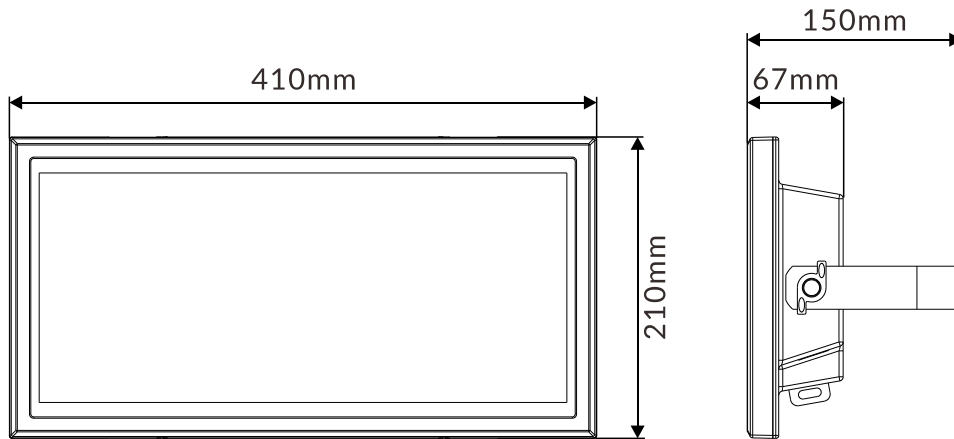
Damages caused by the disregard of this user manual are not subject to warranty. The dealer will not accept liability for any resulting defects or problems.

- Unpack and check carefully to ensure that there is no transportation damage before using the unit.
- This product is for indoor use only. Use only in a dry location.
- DO install and operate by qualified operator.
- DO NOT allow children to operate the fixture.
- Use safety chain when fixing the unit. Handle the unit by carrying its base instead of head only.
- The unit must be installed in a location with adequate ventilation, at least 50cm from adjacent surfaces.
- Be sure that no ventilation slots is blocked, otherwise the unit will be overheated.
- Before operation, ensure that you are connecting this product to the proper voltage in accordance with the specifications in this manual or on the product's specification label.
- It's important to ground the yellow/green conductor to earth in order to avoid electric shock.
- Minimum ambient temperature TA: 0°C. Maximum ambient temperature TA: 40°C. Do not operate this product at a lower or higher temperature.
- DO NOT connect the device to any dimmer pack.
- Keep flammable materials away from the fixture while operating to avoid fire hazard.
- Make sure the power cord is not crimped or damaged; replace it immediately if damaged.
- Unit's surface temperature may reach up to 55°C. DO NOT touch the housing bare-handed during its operation.

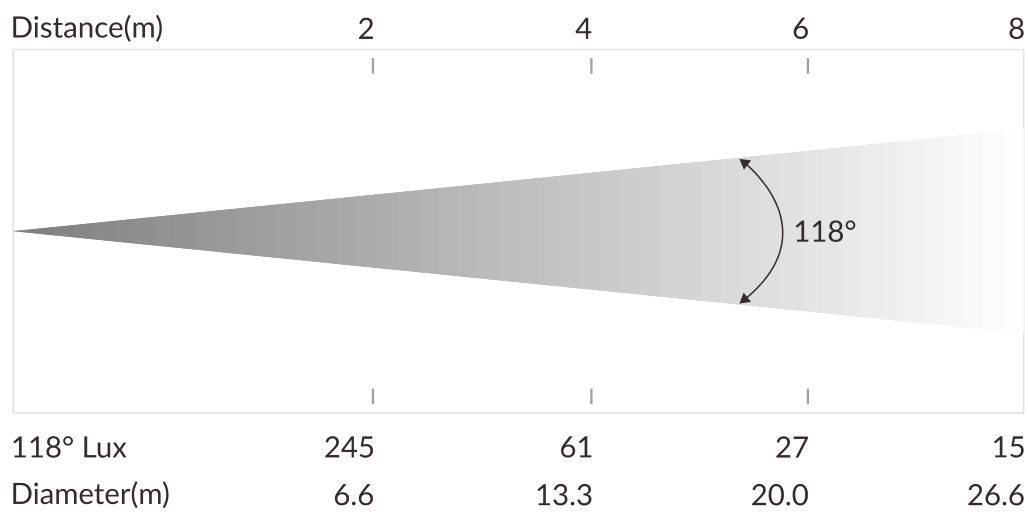
- Avoid any flammable liquids, water or metal from entering the unit. Once it happens, cut off the mains power immediately.
- DO NOT operate in a dirty or dusty environment. DO clean the fixture regularly.
- DO NOT touch any wire during operation as there might be a hazard of electric shock.
- Avoid entanglement of the power cord with other wires.
- The minimum distance to objects/surface must be more than 0.5 meters.
- In the event of serious operating problem, stop using the unit immediately.
- Never turn on and off the unit time after time.
- The housing, the lenses, or the ultraviolet filter must be replaced if they are visibly damaged.
- DO NOT open the housing as there are no user serviceable parts inside.
- DO NOT attempt to operate this unit if it becomes damaged. DO NOT attempt any repairs yourself. Repairs carried out by unskilled people can lead to damage or malfunction. Please contact the nearest authorized technical assistance center if needed.
- Disconnect this product from its power source before servicing.
- DO use the original packaging if the device is to be transported.
- Avoid direct eye exposure to the light source while the product is on.
- DO NOT operate this product if you see damage on the housing, shields, or cables. Have the damaged parts replaced by an authorized technician at once.

02/ Technical Specifications

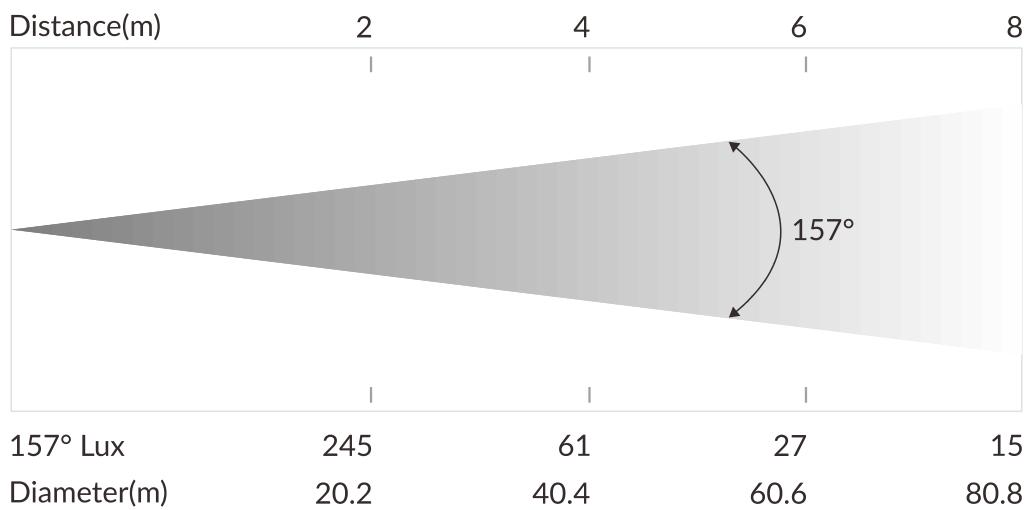
AC Power	100-240Vac; 50/60Hz	
Max. Power Consumption	160W	
Light Source	840x0.2W RGB LED	
Beam Angle	118°	
Field Angle	157°	
Control and Programming	DMX Channels	5/12/23/41/72
	Protocols	DMX512
		RDM
	Operational Modes	DMX Control
		Sound Active
		Show Mode
Firmware Update	via DMX	
Construction	Display	LCD display
	DMX and RDM Data In/Out	5-pin XLR (optional with 3-pin XLR)
	Power In/Out	IEC Connector in
	Protection Rating	IP20
Dynamic Effects	24 RGB LED zones with individual control	
	0-100% continuous dimming and strobe effects	
	Choice of four dimming curves	
	Outstanding color mixing	
	Multiple built-in show modes	
	Intelligent sound control, lighting effect changes with the music rhythm	
	One single mounting bracket with adjustable angle of 180°	
Dimensions	410x67x210mm	16.1"x2.6"x8.3"
Weight	2 kg	4.4 lbs



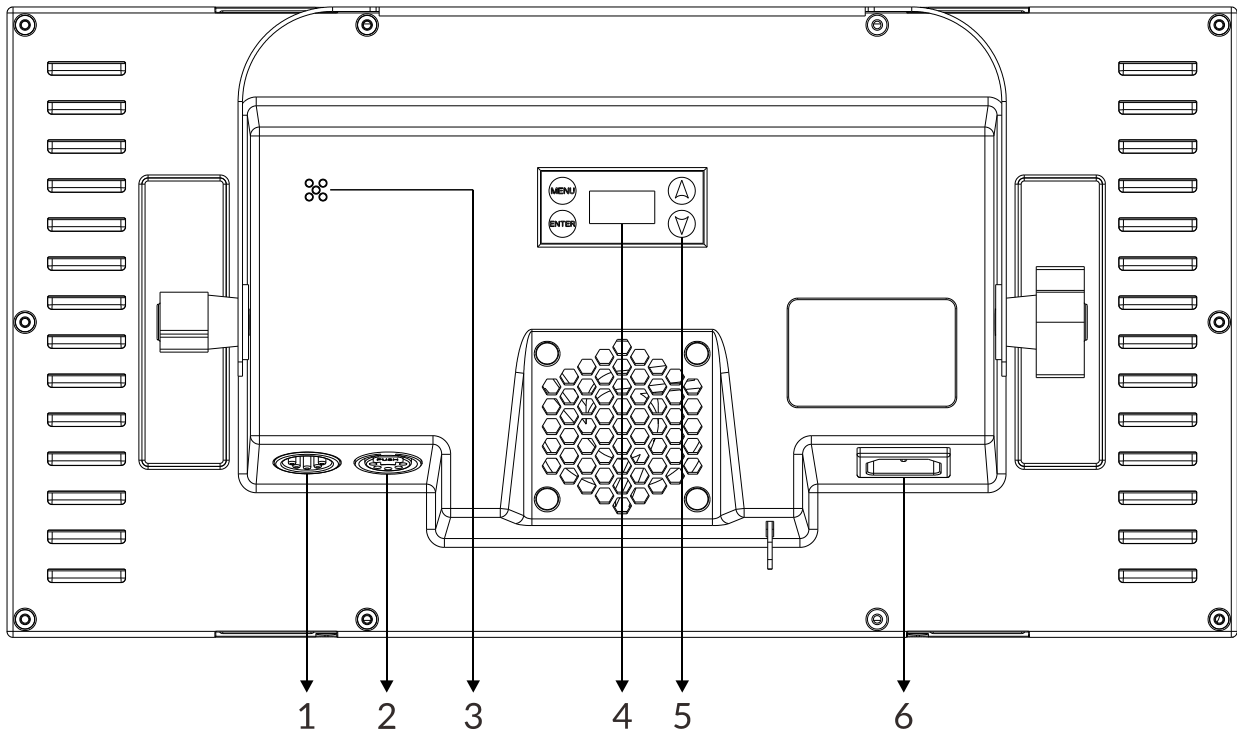
Photometric Diagram (Beam Angle):



Photometric Diagram (Field Angle):



03/ Overview



1. DMX IN	For DMX512 link, use 5-pin XLR cable to link the unit and DMX controller to input DMX signal (optional with 3-pin XLR)	
2. DMX OUT	For DMX512 link, use 5-pin XLR cable to link the next units to output DMX signal (optional with 3-pin XLR)	
3. MIC	Picks up the beat of the music in sound active mode	
4. Display	To show the various menus and the selected function	
5. Buttons	MENU	To enter into move backward or leave the menu
	▲ UP	To go backward to move up in the menu
	▼ DOWN	To go forward to move down in the menu
	ENTER	To perform the desired functions
6. POWER IN	To connect to supply power	

04/ Connecting Power and Data

4.1 Connecting Power

This fixture can operate on any 100-240V~ 50/60Hz AC mains power supply.

The maximum power consumption is 160W.

The fixture must be grounded/earthed and able to be isolated from AC power. The AC power supply must incorporate a fuse or circuit breaker for fault protection.

Wiring and connection work must be carried out by a qualified electrician.

The power cable color coding is given in the figure below:

Wire	Color (US)	Wire	Color (EU)	Symbol	Conductor
	black		brown	L	live
	white		blue	N	neutral
	green		yellow/green	\perp or \oplus	ground (earth)

CAUTION!

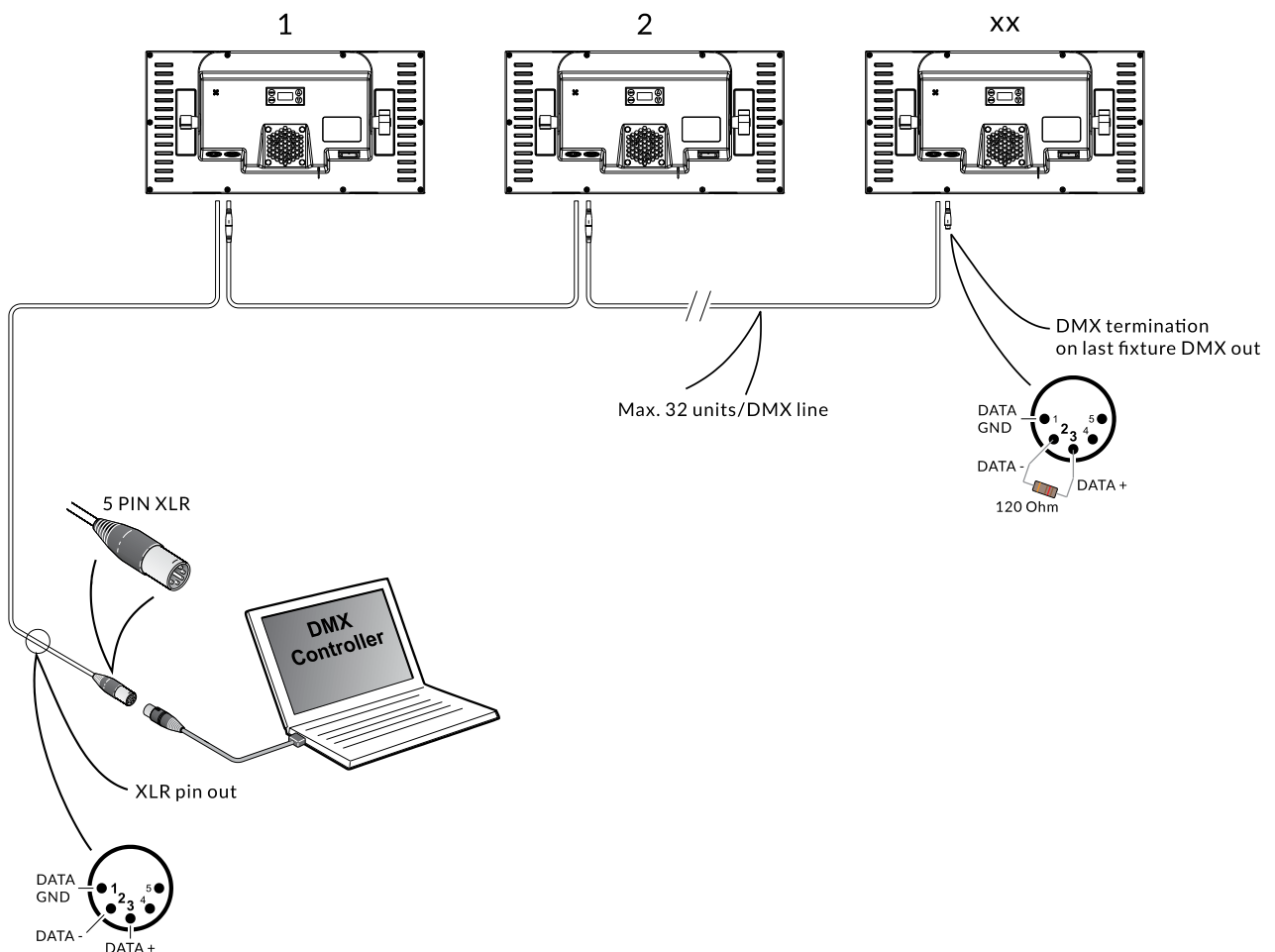
DO NOT CONNECT THE FIXTURE TO AN ELECTRICAL DIMMER SYSTEM AS DOING SO MAY CAUSE DAMAGE.

4.2 Connecting Data

The fixture is equipped with 5-pin (or 3-pin) XLR sockets for DMX input and output. Use a high-quality DMX cable designed for RS-485 and 5-pin (or 3-pin) XLR-plugs and connectors in order to connect the controller with the fixture or one fixture with another.

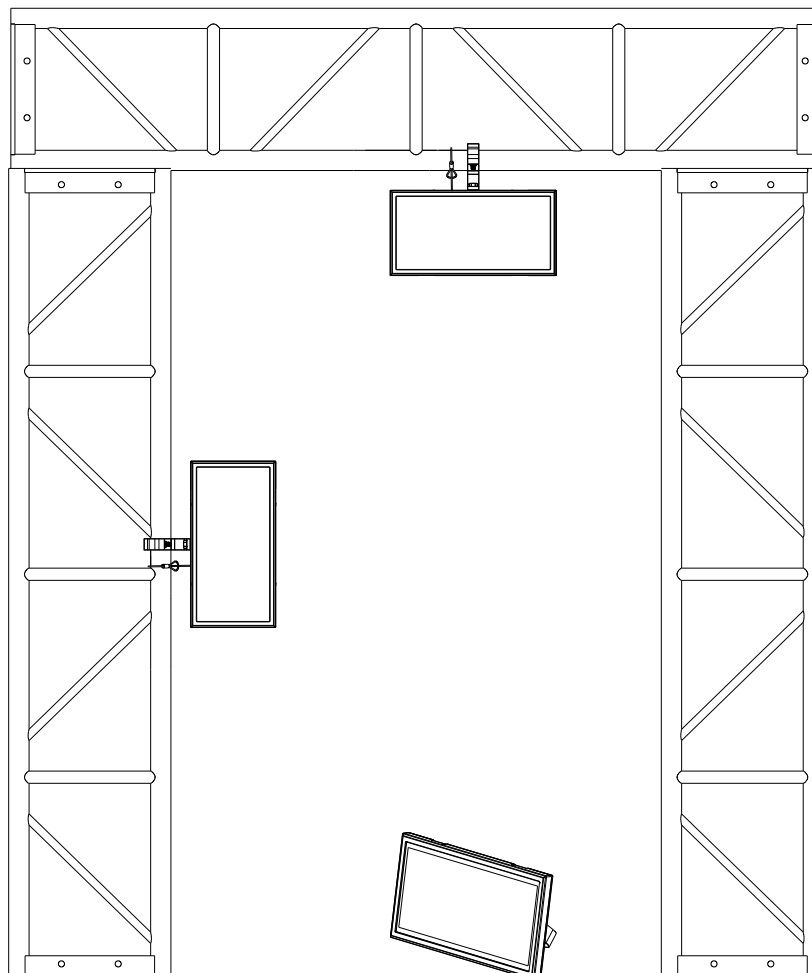
Building a serial DMX chain:

Connect the DMX data output from the controller to the fixture's data input socket. Connect the DMX output of the first fixture in the DMX chain with the DMX input of the next fixture. Always connect one output with the input of the next fixture until all fixtures are connected. Up to 32 fixtures can be connected to the same DMX link. Terminate the DMX out cable of the last fixture in the data link with a 120 ohm DMX terminator.

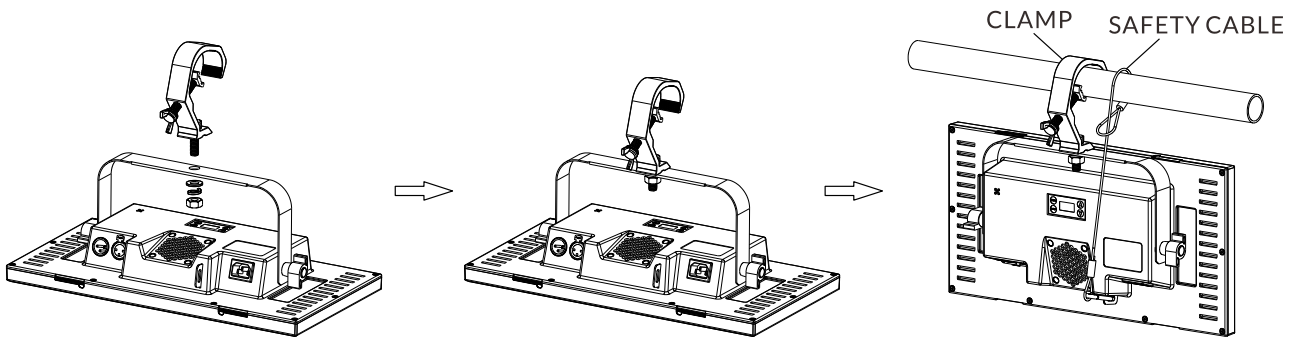


05/ Fixture Installation

- ▶ DO install and operate by qualified operator. Fixture(s) should be installed in areas outside walking paths, seating areas, or away from areas where unauthorized personnel might reach the fixture by hand. NEVER stand directly below the fixture(s) when rigging, removing or servicing.
- ▶ Always ensure that the unit is firmly fixed to avoid vibration and slipping off during operation. Ensure that the trussing or area of installation must be able to hold 10 times the weight without any deformation. Always attach a safety cable that can hold at least 12 times the weight of the fixture whenever installing this fixture in a suspended environment to ensure that the fixture will not fall if the clamp fails.
- ▶ This fixture is fully operational in four different mounting positions: hanging on trussing, mounted sideways on trussing, standing on the floor, or embedding in the ceiling. Always use and install a safety cable as a safety measure to prevent accidental damage and/or injury in the event the clamp fails.



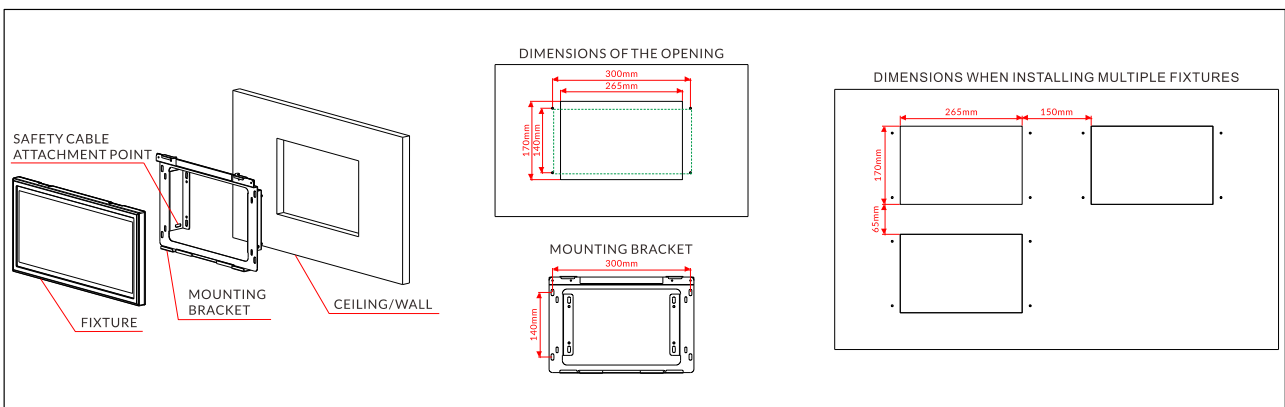
Hanging the fixture:



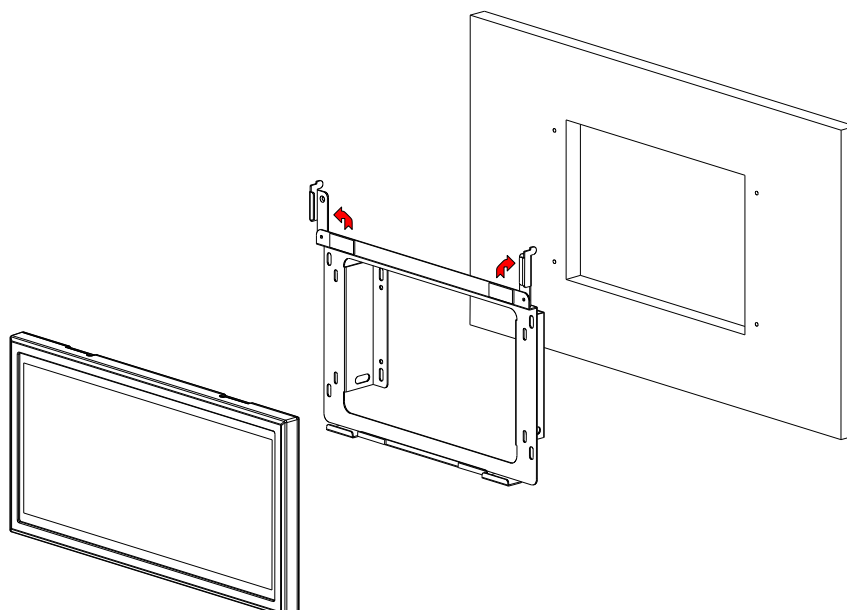
Fix the fixture on a flat surface (such as the ceiling or a wall):

Installation steps: a hole needs to be made in the ceiling/wall

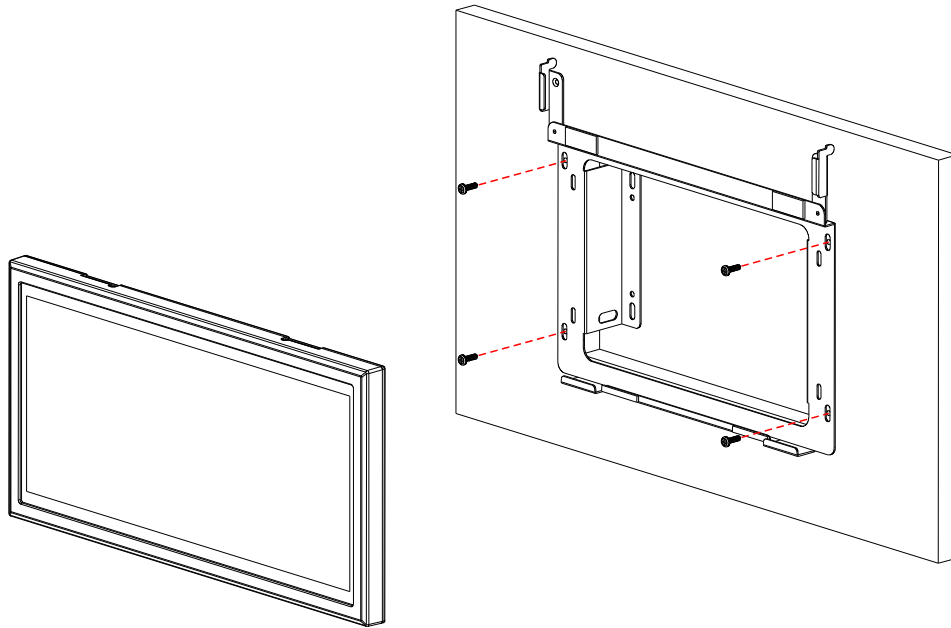
1. Drill a rectangular hole with a length of 265mm and a width of 170mm and four screw holes in the ceiling or wall.



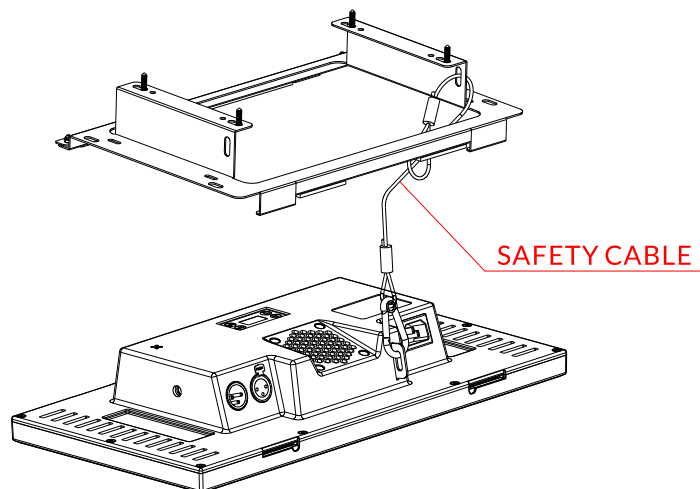
2. Turn the two lock catch of the mounting bracket by 90 degrees.



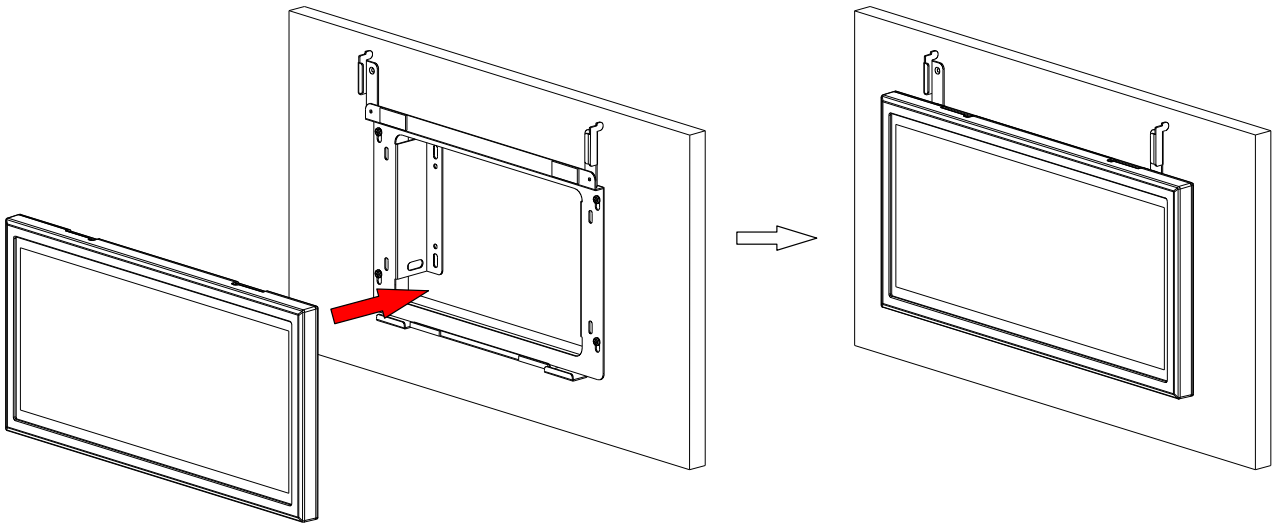
3. Fix the mounting bracket on the ceiling or wall with four screws.



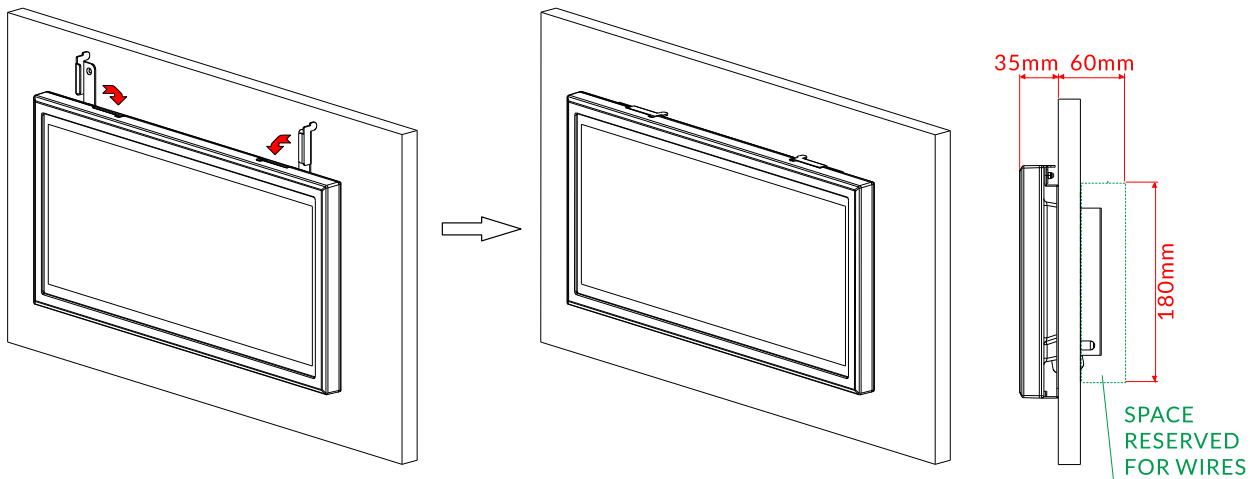
4. Connect the fixture and the mounting bracket with a safety cable.



5. Put the back of the fixture into the mounting bracket and make the fixture flush with the mounting bracket.

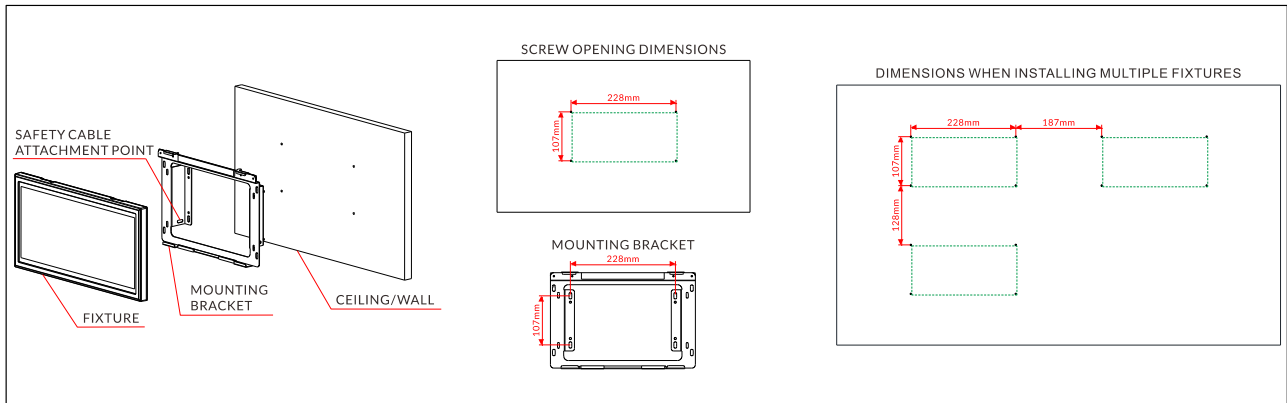


6. Turn the two lock catch of the mounting bracket by 90 degrees to lock the fixture.

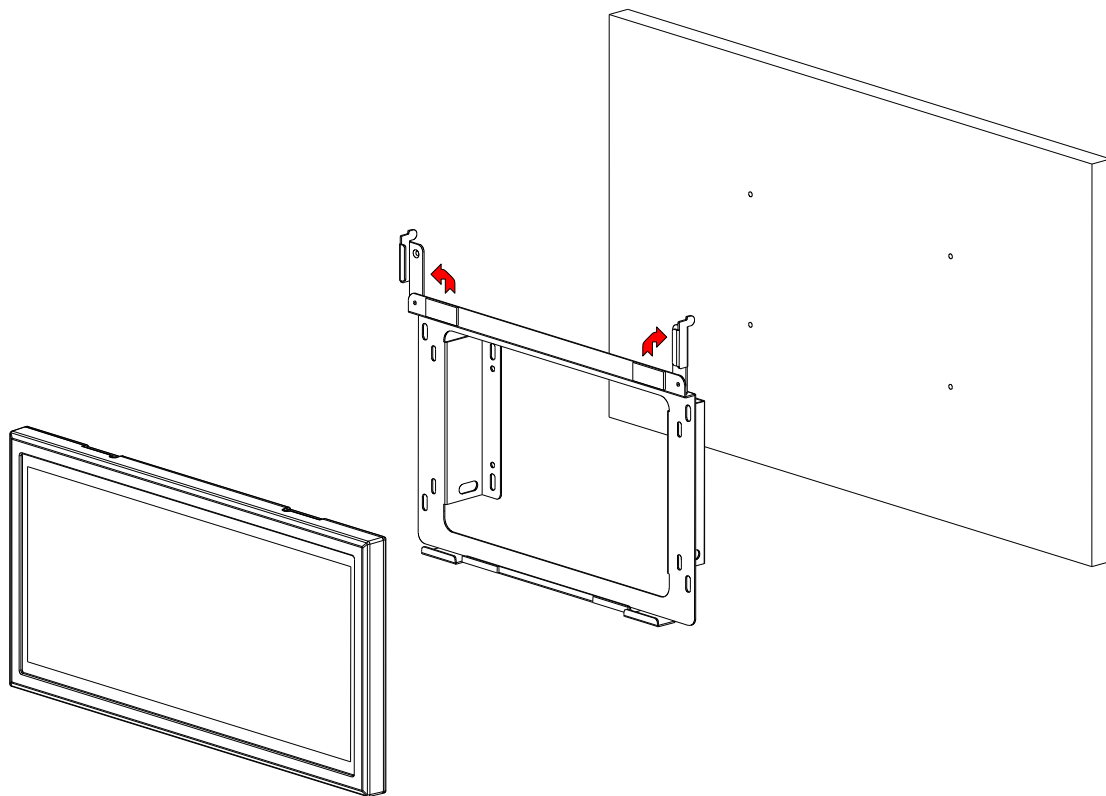


Installation steps: no need to make a hole in the ceiling/wall

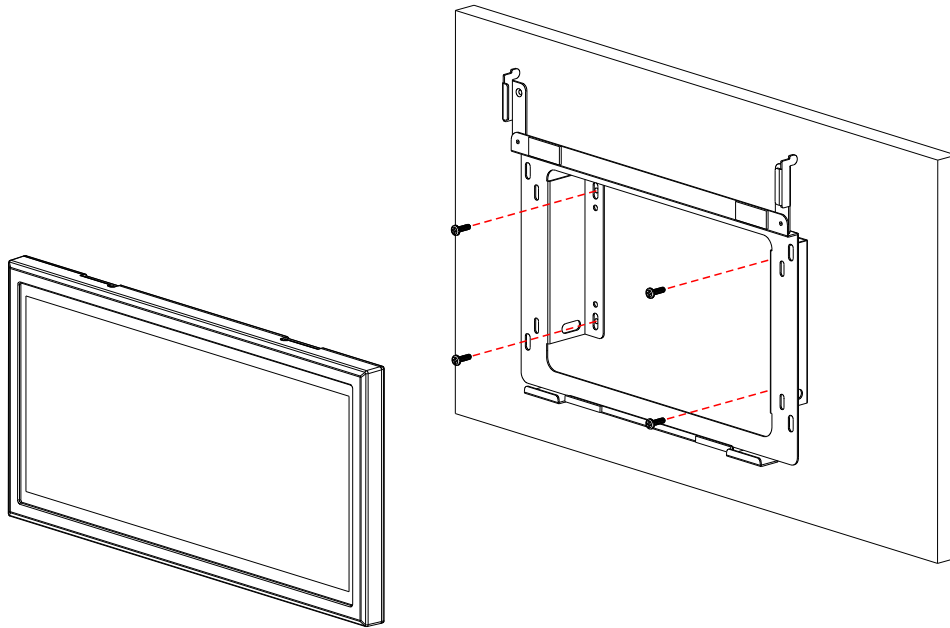
1. Drill four screw holes in the ceiling or wall.



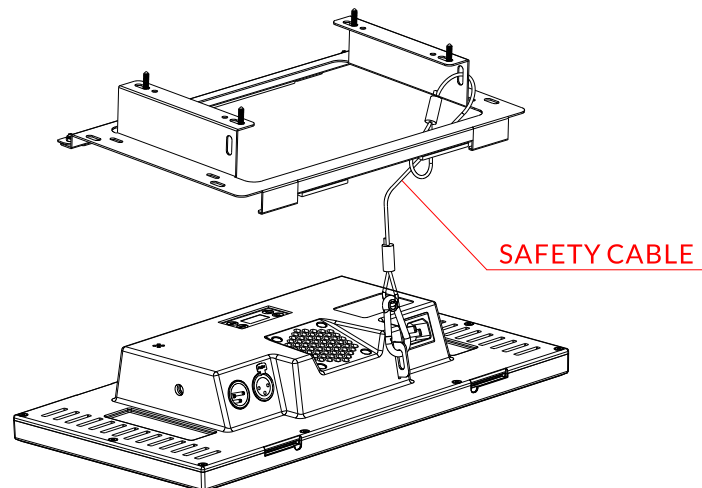
2. Turn the two lock catch of the mounting bracket by 90 degrees.



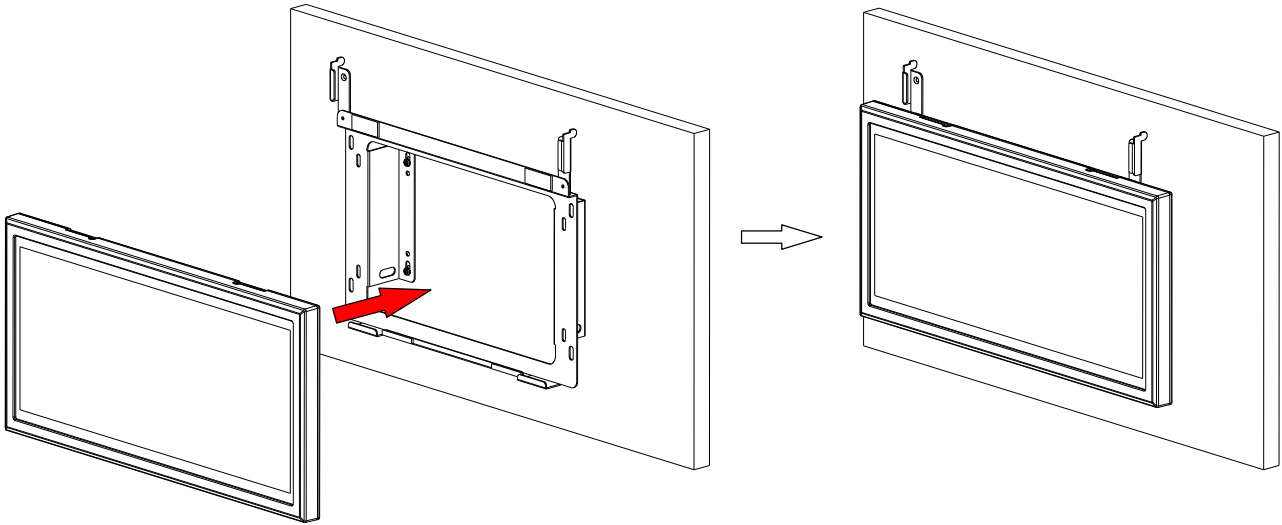
3. Fix the mounting bracket on the ceiling or wall with four screws.



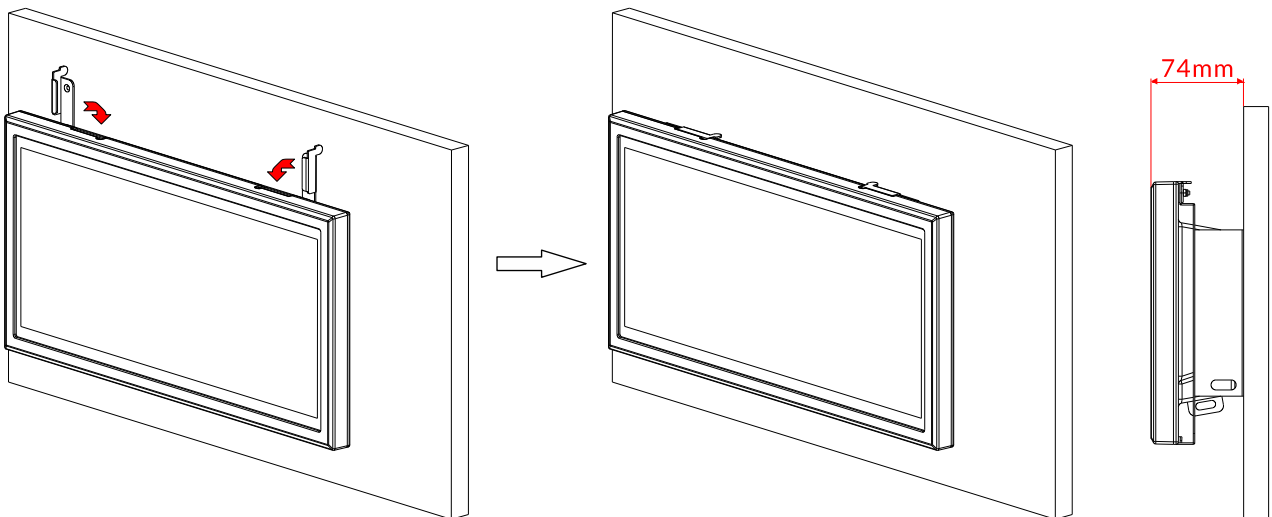
4. Connect the fixture and the mounting bracket with a safety cable.



5. Put the back of the fixture into the mounting bracket and make the fixture flush with the mounting bracket.



6. Turn the two lock catch of the mounting bracket by 90 degrees to lock the fixture.



06/ Operation

6.1 Control Menu

- ▶ To access the control menus, press the [MENU] button.
- ▶ Navigate the menu structure, using the [ENTER], [▲ UP] and [▼ DOWN] buttons.
- ▶ To select a menu option or to confirm a selection, press the [ENTER] button.
- ▶ To return to a higher level in the menu structure without making a change, press the [MENU] button, or wait 30 seconds.

The main functions are shown below:

MAIN MENU	SUBMENU	CHOICES/VALUES		
DMX Settings	DMX Address	1-508 (5 CH)	(Default=1)	
		1-501 (12 CH)		
		1-490 (23 CH)		
		1-472 (41 CH)		
		1-441 (72 CH)		
	Channel Mode	5 CH		
		12 CH		
		23 CH		
		41 CH		
		72 CH		
	No DMX Status	Blackout		
		Hold		
		Manual		
		Show		
View DMX Value				
Fixture Settings	Dimmer Curve	Linear		
		Square Law		
		Inv SQ Law		
		S Curve		
	Dimmer Speed	Fast		
		Smooth		
	White Balance	Red	125-255	
		Green	125-255	
		Blue	125-255	
	Pri. Sec. Mode	Primary		
Secondary 1				
Secondary 2				

MAIN MENU	SUBMENU	CHOICES/VALUES			
	Show Mode	Show 0			
		Show 1			
		Show 2			
		Show 3			
	Sound State	Off			
		On			
Sound Sense	0-100				
Display Settings	Display Invert	No			
		Yes			
	Temperature Unit	°C			
		°F			
	Language	English			
		Chinese			
Fixture Test	Auto Test	Single			
		Cycle			
	Manual Mode	Mode 1		Mode 2	
		Clear	No/Yes	Clear	No/Yes
		Red	0-255	Red 1	0-255
		Green	0-255	Green 1	0-255
		Blue	0-255	Blue 1	0-255
		Dimmer	0-255
		Dimmer Fine	0-255	Red 24	0-255
		Duration	0-255	Green 24	0-255
		Strobe	0-255	Blue 24	0-255
Information	Fixture Use Hour				
	LED Use Hour	Total LED Hour			
		LED On Hour			
		LED Hours Reset	Password=050		
	Temperature		Current	Max temp	
		LED 1			
		LED 2			
	Firmware Version				
	RDM UID				
	Error Logs	Fixture Errors			
Reset Error Log		No			
		Yes	Password=050		
Special Functions	Factory Restore	No			
		Yes			

DMX Settings

Enter the control menu and select **DMX Settings**, press ENTER. Use the UP/DOWN button to select **DMX Address**, **Channel Mode**, **No DMX Status** or **View DMX Value**.

DMX Address

Select **DMX Address**, press ENTER.

Use UP/DOWN button to select an address, confirm your selection with ENTER.

CHANNEL MODE	DMX ADDRESS
5 CH	1-508
12 CH	1-501
23 CH	1-490
41 CH	1-472
72 CH	1-441

To exit the menu, press MENU, or wait 30 seconds.

Channel Mode

Select **Channel Mode**, press ENTER.

Use UP/DOWN button to select between **5 CH**, **12 CH**, **23 CH**, **41 CH** and **72 CH**, confirm your selection with ENTER.

To exit the menu, press MENU, or wait 30 seconds.

No DMX Status

Select **No DMX Status**, press ENTER.

Use UP/DOWN button to select one of the following status:

Blackout (Fixture blacks out if DMX signal stops)

Hold (The device continues to operate in the current mode with the last active DMX values until the signal returns)

Manual (The device accepts the DMX value stored in the 'Manual Mode' menu)

Show

Confirm your selection with ENTER.

To exit the menu, press MENU, or wait 30 seconds.

View DMX Value

Select **View DMX Value**, press ENTER.

Use UP/DOWN button to select the desired DMX channel, for which the value is to be displayed.

To exit the menu, press MENU, or wait 30 seconds.

Fixture Settings

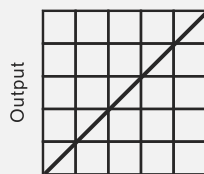
Enter the control menu and select **Fixture Settings**, press ENTER. Use the UP/DOWN button to select **Dimmer Curve**, **Dimmer Speed**, **White Balance**, **Pri. Sec. Mode**, **Show Mode**, **Sound State** or **Sound Sense**.

Dimmer Curve

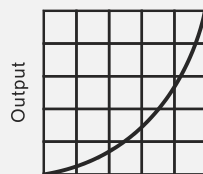
Select **Dimmer Curve**, press ENTER.

Use UP/DOWN button to select **Linear**, **Square Law**, **Inv SQ Law** or **S Curve**, confirm your selection with ENTER.

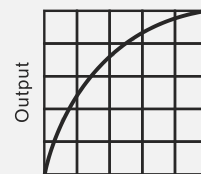
Dimmer Modes



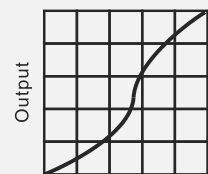
Optically Linear



Square Law



Inverse Square Law



S-curve

To exit the menu, press MENU, or wait 30 seconds.

Dimmer Speed

Select **Dimmer Speed**, press ENTER.

Use UP/DOWN button to select **Fast** or **Smooth**, confirm your selection with ENTER.

To exit the menu, press MENU, or wait 30 seconds.

White Balance

Select **White Balance**, press ENTER.

Use UP/DOWN button to select **Red**, **Green** or **Blue**, confirm your selection with ENTER.

Use UP/DOWN button to select a value between **125** and **255**, confirm your selection with ENTER.

To exit the menu, press MENU, or wait 30 seconds.

Pri. Sec. Mode

Select **Pri. Sec. Mode**, press ENTER.

Use UP/DOWN button to select **Primary**, **Secondary 1** or **Secondary 2**, confirm your selection with ENTER.

To exit the menu, press MENU, or wait 30 seconds.

Show Mode

Select **Show Mode**, press ENTER.

Use UP/DOWN button to select **Show 0**, **Show 1**, **Show 2** or **Show 3**, confirm your selection with ENTER.

To exit the menu, press MENU, or wait 30 seconds.

Sound State

Select **Sound State**, press ENTER.

Use UP/DOWN button to select **Off** or **On**, confirm your selection with ENTER.

To exit the menu, press MENU, or wait 30 seconds.

Sound Sense

Select **Sound Sense**, press ENTER.

Use UP/DOWN button to select a value between **0** and **100**, confirm your selection with ENTER.

To exit the menu, press MENU, or wait 30 seconds.

Display Settings

Enter the control menu and select **Display Settings**, press ENTER. Use the UP/DOWN button to select **Display Invert**, **Temperature Unit** or **Language**.

Display Invert

Select **Display Invert**, press ENTER.

Use UP/DOWN button to select **No** (display normal) or **Yes** (display inverted), confirm your selection with ENTER.

To exit the menu, press MENU, or wait 30 seconds.

Temperature Unit

Select **Temperature Unit**, press ENTER.

Use UP/DOWN button to select **°C** or **°F**, confirm your selection with ENTER.

To exit the menu, press MENU, or wait 30 seconds.

Language

Select **Language**, press ENTER.

Use UP/DOWN button to select **English** or **Chinese**, confirm your selection with ENTER.

To exit the menu, press MENU, or wait 30 seconds.

Fixture Test

Enter the control menu and select **Fixture Test**, press ENTER. Use the UP/DOWN button to select **Auto Test** or **Manual Mode**.

Auto Test

Select **Auto Test**, press ENTER.

Use UP/DOWN button to select **Single** (the device immediately performs a single automatic self-test) or **Cycle** (the device immediately performs a cyclic automatic self-test), confirm your selection with ENTER.

To exit the menu, press MENU.

Manual Mode

Select **Manual Mode**, press ENTER.

Use UP/DOWN button to select the channel for which the manual test is to be performed, confirm your selection with ENTER.

Use UP/DOWN button to select a value, confirm your selection with ENTER.

To exit the menu, press MENU.

(The device returns to its original DMX state after the manual test. The test values are saved automatically when the device is switched off.)

Information

Enter the control menu and select **Information**, press ENTER. Use the UP/DOWN button to select **Fixture Use Hour**, **LED Use Hour**, **Temperature**, **Firmware Version**, **RDM UID** or **Error Logs**.

Fixture Use Hour

Select **Fixture Use Hour**, press ENTER.

The operating hours is displayed.

To exit the menu, press MENU, or wait 30 seconds.

LED Use Hour

Select **LED Use Hour**, press ENTER.

Use UP/DOWN button to select **Total LED Hour** (total time) or **LED On Hour** (current switch-on time), confirm your selection with ENTER.

The total time or current switch-on time is displayed.

Use UP/DOWN button to select **LED Hours Reset**, confirm your selection with ENTER.

Use UP/DOWN button to set the password 050, confirm your selection with ENTER. The LED operating hours is reset.

To exit the menu, press MENU, or wait 30 seconds.

Temperature

Select **Temperature**, press ENTER.

The device temperature is displayed.

To exit the menu, press MENU, or wait 30 seconds.

Firmware Version

Select **Firmware Version**, press ENTER.

The firmware version is displayed.

To exit the menu, press MENU, or wait 30 seconds.

RDM UID

Select **RDM UID**, press ENTER.

The RDM UID is displayed.

To exit the menu, press MENU, or wait 30 seconds.

Error Logs

Select **Error Logs**, press ENTER.

Use UP/DOWN button to select **Fixture Errors**, confirm your selection with ENTER.

The error list is displayed.

Use UP/DOWN button to select **Reset Error Log**, confirm your selection with ENTER.

If you wish to reset the relevant error logs, select **Yes**. If you do not wish to reset anything, select **No**. Confirm your selection with ENTER.

If you select **Yes**, use UP/DOWN button to set the password 050, confirm your selection with ENTER. The relevant error logs are reset.

To exit the menu, press MENU, or wait 30 seconds.

Special Functions

Enter the control menu and select **Special Functions**, press ENTER. Use the UP/DOWN button to select **Factory Restore**.

Factory Restore

Select **Factory Restore**, press ENTER.

If you wish to reset the device to the factory settings, select **Yes**. If you do not wish to reset anything, select **No**. Confirm your selection with ENTER.

To exit the menu, press MENU, or wait 30 seconds.

RDM functions: Certain menus of the device and functions can be called up via the RDM protocol.

The parameter IDs are implemented as follows for different commands:

Parameter ID	Command 'Discovery'	Command 'Set'	Command 'Get'
DISC_UNIQUE_BRANCH	✓		
DISC_MUTE	✓		
DISC_UN_MUTE	✓		
DEVICE_INFO			✓
SUPPORTED_PARAMETERS			✓
SOFTWARE_VERSION_LABEL			✓
DMX_START_ADDRESS		✓	✓
IDENTIFY_DEVICE		✓	✓
DEVICE_MODEL_DESCRIPTION			✓
PARAMETER_DESCRIPTION			✓
MANUFACTURER_LABEL			✓
DEVICE_LABEL		✓	✓
FACTORY_DEFAULTS		✓	✓
BOOT_SOFTWARE_VERSION_ID			✓
BOOT_SOFTWARE_VERSION_LABEL			✓
DMX_PERSONALITY		✓	✓
DMX_PERSONALITY_DESCRIPTION			✓
SLOT_INFO			✓
SLOT_DESCRIPTION			✓
SENSOR_DEFINITION			✓
SENSOR_VALUE			✓
DEVICE_HOURS			✓
LAMP_HOURS			✓
RESET_DEVICE		✓	
CURVE		✓	✓
SHOW_MODE		✓	✓
PRIMARY_SECONDARY		✓	✓
DMX_STATE		✓	✓
DIMMER_SPEED		✓	✓
SOUND_MODE		✓	✓
SOUND_SENSE		✓	✓

✓ -Command implemented for the respective parameter ID

6.2 Home Position Adjustment

- ▶ To access the control menus, press the [MENU] button.
- ▶ To access the offset menus, long-press the [ENTER] button.
- ▶ Navigate the offset menus, using the [ENTER], [▲ UP] and [▼ DOWN] buttons.
- ▶ To select a menu option or to confirm a selection, press the [ENTER] button.
- ▶ To return to a higher level in the menu structure without making a change, press the [MENU] button, or wait 30 seconds.

OFFSET MENU	VALUES
Red	0~255
Green	0~255
Blue	0~255
Red 1	0~255
Green 1	0~255
Blue 1	0~255
.....
Red 24	0~255
Green 24	0~255
Blue 24	0~255

Red

Select **Red**, press ENTER.

Use UP/DOWN button to select a value between 0 and 255, confirm your selection with ENTER.

To exit the offset menu, press MENU, or wait 30 seconds.

Green

Select **Green**, press ENTER.

Use UP/DOWN button to select a value between 0 and 255, confirm your selection with ENTER.

To exit the offset menu, press MENU, or wait 30 seconds.

Blue

Select **Blue**, press ENTER.

Use UP/DOWN button to select a value between 0 and 255, confirm your selection with ENTER.

To exit the offset menu, press MENU, or wait 30 seconds.

Red 1

Select **Red 1**, press ENTER.

Use UP/DOWN button to select a value between 0 and 255, confirm your selection with ENTER.

To exit the offset menu, press MENU, or wait 30 seconds.

Green 1

Select **Green 1**, press ENTER.

Use UP/DOWN button to select a value between 0 and 255, confirm your selection with ENTER.

To exit the offset menu, press MENU, or wait 30 seconds.

Blue 1

Select **Blue 1**, press ENTER.

Use UP/DOWN button to select a value between 0 and 255, confirm your selection with ENTER.

To exit the offset menu, press MENU, or wait 30 seconds.

.....

Red 24

Select **Red 24**, press ENTER.

Use UP/DOWN button to select a value between 0 and 255, confirm your selection with ENTER.

To exit the offset menu, press MENU, or wait 30 seconds.

Green 24

Select **Green 24**, press ENTER.

Use UP/DOWN button to select a value between 0 and 255, confirm your selection with ENTER.

To exit the offset menu, press MENU, or wait 30 seconds.

Blue 24

Select **Blue 24**, press ENTER.

Use UP/DOWN button to select a value between 0 and 255, confirm your selection with ENTER.

To exit the offset menu, press MENU, or wait 30 seconds.

07/ Configuring the Device for DMX Control

7.1 Address Setting

All fixtures should be given a DMX starting address when operating with a DMX controller, in order to ensure that the correct fixture responds to the correct control signal. Incorrect settings will result in unpredictable responses from the lighting controller.

You can set the same starting address for all fixtures or a group of fixtures, or set different addresses for each individual fixture.

Setting all fixtures to the same DMX address will cause all fixtures to react in the same way. In this case, please note that changing the settings of one channel will affect all the fixtures simultaneously.

If you set each fixture to a different DMX address, each unit will “listen” starting at the channel number you have set, based on the quantity of DMX channels of each fixture. That means changing the settings of one channel will only affect the selected fixture.

For example, if the first fixture is set to 5 ch DMX mode with a start DMX address of 1, the following fixture in the DMX chain should then be set to a DMX address of 6. As the first fixture uses all the first 5 DMX channels, the next available channel is 6 ($5+1=6 \gg 6$).

See the chart below for more details:

Channel Mode	Unit 1 Address	Unit 2 Address	Unit 3 Address	Unit 4 Address	Unit xxx Address
5 channels	1	6	11	16
12 channels	1	13	25	37
23 channels	1	24	47	70
41 channels	1	42	83	124
72 channels	1	73	145	217

7.2 DMX Protocol

5 Channels (Mode 1) / 12 Channels (Mode 2):

CHANNEL		VALUE	FUNCTION
5ch	12ch		
1	1	000-255	RED 0%→100%
2	2	000-255	GREEN 0%→100%
3	3	000-255	BLUE 0%→100%
	4		COLOR MACRO
		000-009	Null
		010-017	Color 1
		018-024	Color 2
		025-032	Color 3
		033-039	Color 4
		040-047	Color 5
		048-054	Color 6
		055-061	Color 7
		062-069	Color 8
		070-076	Color 9
		077-084	Color 10
		085-091	Color 11
		092-099	Color 12
		100-106	Color 13
		107-113	Color 14
		114-121	Color 15
		122-128	Color 16
		129-136	Color 17
		137-143	Color 18
		144-151	Color 19
		152-158	Color 20
		159-165	Color 21
		166-173	Color 22
		174-180	Color 23
		181-188	Color 24
		189-195	Color 25
		196-203	Color 26
		204-210	Color 27
		211-217	Color 28
		218-225	Color 29
		226-232	Color 30
		233-240	Color 31
		241-247	Color 32

		248-255	Color 33
4	5	000-255	DIMMER 0%→100%
5	6	000-255	DIMMER FINE
	7	000-255	STROBE DURATION
	8	000-006 007-255	STROBE RATE Blackout Strobe from Slow to Fast
	9	000-005 006-047 048-089 090-131 132-173 174-215 216-255	STROBE Null Ramp up Ramp down Ramp up-down Lightning Random Sound Strobe
	10	000-003 004-012 013-021 022-030 031-039 040-048 049-057 058-066 067-075 076-084 085-093 094-102 103-111 112-120 121-129 130-138 139-147 148-156 157-165 166-174 175-183 184-192 193-201 202-210 211-219 220-228 229-237 238-246	MACRO Null Macro 1 Macro 2 Macro 3 Macro 4 Macro 5 Macro 6 Macro 7 Macro 8 Macro 9 Macro 10 Macro 11 Macro 12 Macro 13 Macro 14 Macro 15 Macro 16 Macro 17 Macro 18 Macro 19 Macro 20 Macro 21 Macro 22 Macro 23 Macro 24 Macro 25 Macro 26 Macro 27

		247-255	Macro 28
	11	000-127 128-255	MACRO SPEED Normal, Slow to Fast Inversion, Slow to Fast
	12	000-049 050-059 060-069 070-079 080-089 090-099 100-109 110-119 120-255	FUNCTION (To activate following functions, stop in DMX value for at least 3 seconds.) Null Dimmer Curve: Linear Dimmer Curve: Square Law Dimmer Curve: Inverse Square Law Dimmer Curve: S Curve Null Dimmer Speed: Fast Dimmer Speed: Smooth Null

23 Channels (Mode 3) / 41 Channels (Mode 4) / 72 Channels (Mode 5):

CHANNEL			VALUE	FUNCTION
23ch	41ch	72ch		
1	1	1	000-255	RED 1 0%→100%
2	2	2	000-255	GREEN 1 0%→100%
3	3	3	000-255	BLUE 1 0%→100%
4	4	4	000-255	RED 2 0%→100%
5	5	5	000-255	GREEN 2 0%→100%
6	6	6	000-255	BLUE 2 0%→100%
7	7	7	000-255	RED 3 0%→100%
8	8	8	000-255	GREEN 3 0%→100%
9	9	9	000-255	BLUE 3 0%→100%
10	10	10	000-255	RED 4 0%→100%
11	11	11	000-255	GREEN 4 0%→100%

12	12	12	000-255	BLUE 4 0%→100%
13	13	13	000-255	RED 5 0%→100%
14	14	14	000-255	GREEN 5 0%→100%
15	15	15	000-255	BLUE 5 0%→100%
16	16	16	000-255	RED 6 0%→100%
17	17	17	000-255	GREEN 6 0%→100%
18	18	18	000-255	BLUE 6 0%→100%
	19	19	000-255	RED 7 0%→100%
	20	20	000-255	GREEN 7 0%→100%
	21	21	000-255	BLUE 7 0%→100%
	22	22	000-255	RED 8 0%→100%
	23	23	000-255	GREEN 8 0%→100%
	24	24	000-255	BLUE 8 0%→100%
	25	25	000-255	RED 9 0%→100%
	26	26	000-255	GREEN 9 0%→100%
	27	27	000-255	BLUE 9 0%→100%
	28	28	000-255	RED 10 0%→100%
	29	29	000-255	GREEN 10 0%→100%
	30	30	000-255	BLUE 10 0%→100%
	31	31	000-255	RED 11 0%→100%
	32	32	000-255	GREEN 11 0%→100%
	33	33	000-255	BLUE 11 0%→100%

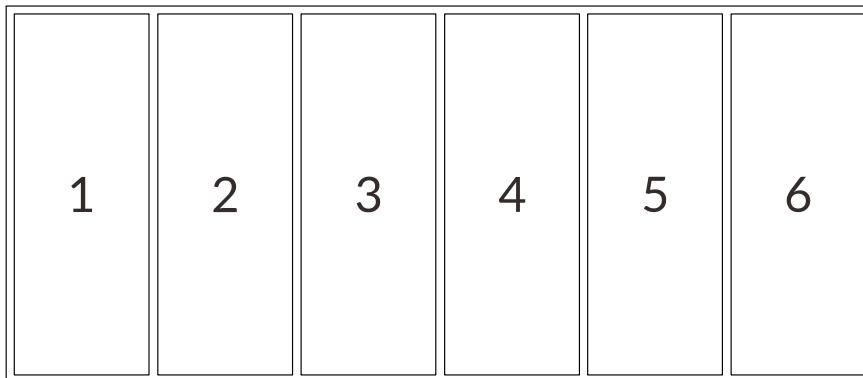
	34	34	000-255	RED 12 0%→100%
	35	35	000-255	GREEN 12 0%→100%
	36	36	000-255	BLUE 12 0%→100%
		37	000-255	RED 13 0%→100%
		38	000-255	GREEN 13 0%→100%
		39	000-255	BLUE 13 0%→100%
		40	000-255	RED 14 0%→100%
		41	000-255	GREEN 14 0%→100%
		42	000-255	BLUE 14 0%→100%
		43	000-255	RED 15 0%→100%
		44	000-255	GREEN 15 0%→100%
		45	000-255	BLUE 15 0%→100%
		46	000-255	RED 16 0%→100%
		47	000-255	GREEN 16 0%→100%
		48	000-255	BLUE 16 0%→100%
		49	000-255	RED 17 0%→100%
		50	000-255	GREEN 17 0%→100%
		51	000-255	BLUE 17 0%→100%
		52	000-255	RED 18 0%→100%
		53	000-255	GREEN 18 0%→100%
		54	000-255	BLUE 18 0%→100%
		55	000-255	RED 19 0%→100%

		56	000-255	GREEN 19 0%→100%
		57	000-255	BLUE 19 0%→100%
		58	000-255	RED 20 0%→100%
		59	000-255	GREEN 20 0%→100%
		60	000-255	BLUE 20 0%→100%
		61	000-255	RED 21 0%→100%
		62	000-255	GREEN 21 0%→100%
		63	000-255	BLUE 21 0%→100%
		64	000-255	RED 22 0%→100%
		65	000-255	GREEN 22 0%→100%
		66	000-255	BLUE 22 0%→100%
		67	000-255	RED 23 0%→100%
		68	000-255	GREEN 23 0%→100%
		69	000-255	BLUE 23 0%→100%
		70	000-255	RED 24 0%→100%
		71	000-255	GREEN 24 0%→100%
		72	000-255	BLUE 24 0%→100%
19	37		000-255	DIMMER 0%→100%
20	38		000-255	DIMMER FINE
21	39		000-255	STROBE DURATION
22	40		000-006 007-255	STROBE RATE Blackout Strobe from Slow to Fast
23	41		000-005	STROBE Null

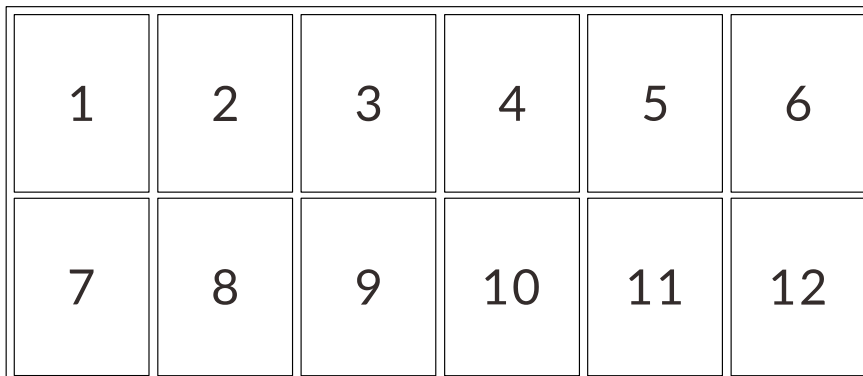
			006-047 048-089 090-131 132-173 174-215 216-255	Ramp up Ramp down Ramp up-down Lightning Random Sound Strobe
--	--	--	--	---

LED PIXEL ZONES:

23-channel



41-channel



72-channel



08/ Error Information

Error codes are shown continuously in the display when the fixture fails and they will not disappear until the fixture is repaired.

Temperature Error

Check whether the temperature detecting board is normal.

Check whether the components of the temperature detecting board are damaged.

Check whether the lead on the temperature detecting board is installed in place or disconnected.

Fan Error

Check whether the fan is not running.

Check whether the fan leads are installed in place or disconnected.

Check whether the fan is damaged.

Check whether there are obstacles in the fan operating range.

Check whether the fan circuit on the motherboard breaks down.

Check whether the component is damaged.

Check whether the fan is out of order.

09/ Troubleshooting

Problem	Potential cause(s)	Remedies
Fixture does not respond or appears to be off.	No power to the fixture.	Confirm that the power is switched on and cables are plugged in.
	No output from PSU.	Replace the PSU.
Fixture suddenly turned off.	Power was turned off.	Check the power supply, switches and breakers.
Light output cuts out intermittently.	Fixture is too hot.	Check fixture's stored error messages for more information. Allow fixture to cool. Clean fixture. Reduce ambient temperature.
Fixture suddenly stopped responding.	DMX cables were disconnected.	Inspect DMX cables.
Fixture operates irregularly / abnormal.	Incorrect DMX address or DMX mode.	Inspect and enter the correct DMX address or mode.
	DMX link is not terminated.	Install a XLR 120ohm DMX termination at the end of the DMX link.
	Bad data link.	Replace or repair defective cables and/or connections.
	One of the fixtures is defective and is disturbing data transmission on the link.	Track and isolate the corrupted fixture. Have the fixture serviced by a qualified technician.

10/ Fixture Cleaning

Regular cleaning is very important for fixture life and performance. Buildup of dust, dirt, smoke particles, fog fluid residues, etc. degrades the fixture's light output and cooling ability. Cleaning schedules for lighting fixtures vary greatly depending on the operating environment. It is therefore impossible to specify precise cleaning intervals for the fixture. Environmental factors that may result in a need for frequent cleaning include:

- ▶ Use of smoke or fog machines.
- ▶ High airflow rates (near air conditioning vents, for example).
- ▶ Airborne dust (from stage effects, building structures and fittings or the natural environment at outdoor events, for example).

If one or more of these factors is present, inspect fixtures within their first few hours of operation to see whether cleaning is necessary. Check again at frequent intervals. This procedure will allow you to assess cleaning requirements in your particular situation.

Follow these precautions when cleaning the fixture:

- ▶ Work in a clean, dry, well-lit area.
- ▶ Use gentle pressure only. A soft lint-free cloth dampened with a solution of water and a mild detergent is recommended, under no circumstances should alcohol, solvents or abrasives be used! Use care when cleaning optical components: surfaces are fragile and easily scratched.



www.acmelighting.com