



Champagne

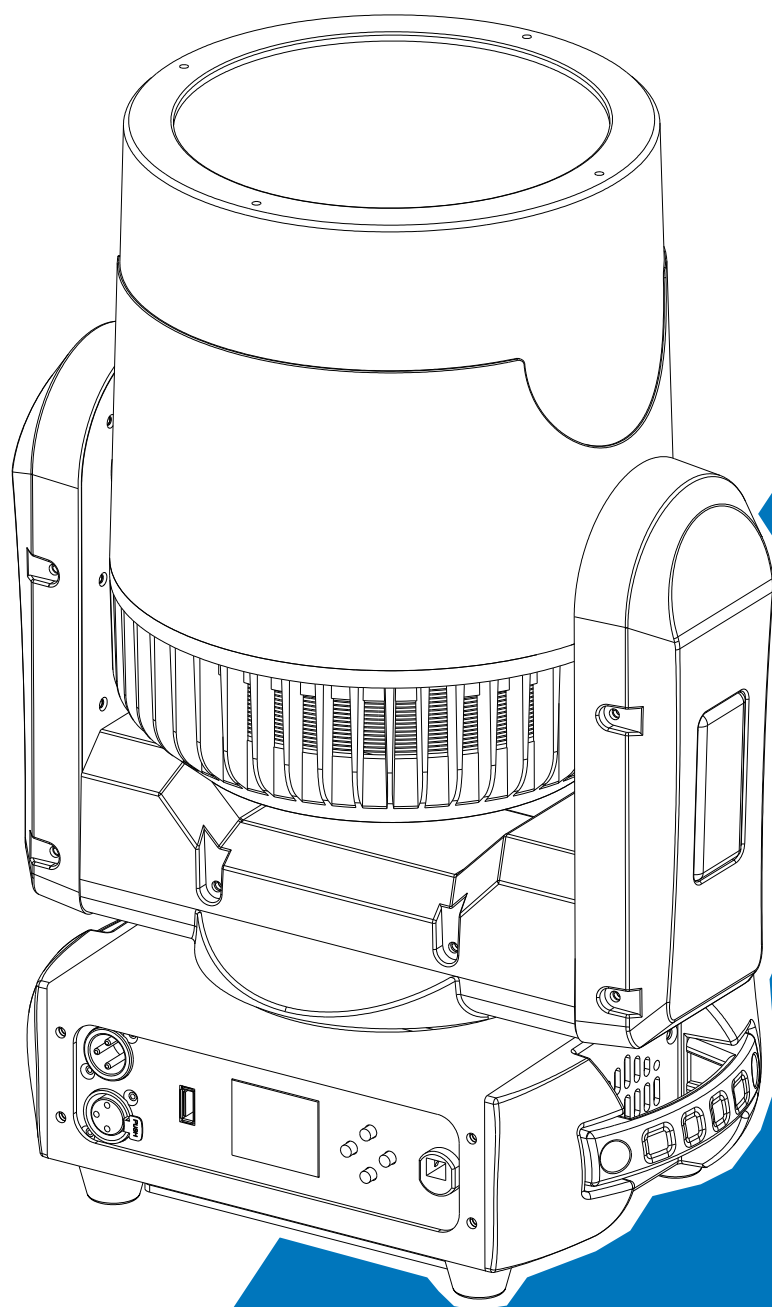
WW

Champagne

CW

Champagne

NW



User Manual

Please read the instruction carefully before use

CONTENTS

01/ Safety Instructions.....	2
02/ Technical Specifications	4
03/ Control Panel.....	6
04/ How To Set The Unit.....	7
4.1 Main Functions	7
4.2 Home Position Adjustment	17
05/ Control By Universal DMX Controller	19
5.1 DMX512 Connection.....	19
5.2 Address Setting.....	20
5.3 DMX512 Configuration	20
06/ Troubleshooting	24
07/ Fixture Cleaning.....	25

01/ Safety Instructions



Please read the instruction carefully which includes important information about the installation, usage and maintenance.

WARNING

Please keep this User Guide for future consultation. If you sell the unit to another user, be sure that they also receive this instruction manual.

Important:

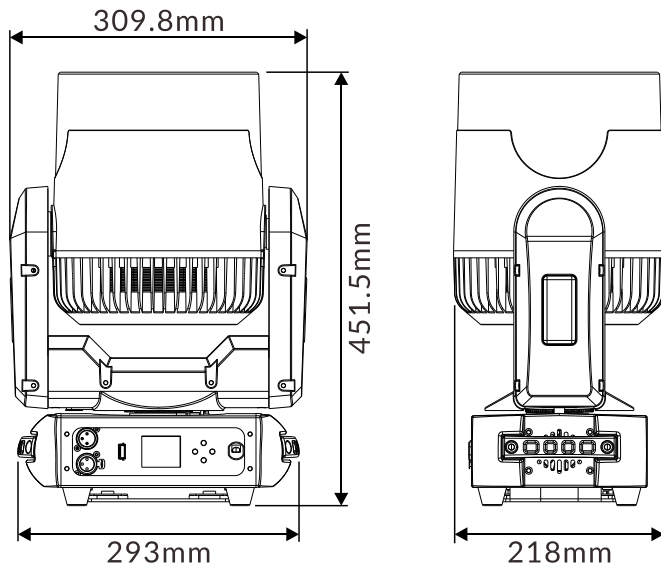
Damages caused by the disregard of this user manual are not subject to warranty. The dealer will not accept liability for any resulting defects or problems.

- Unpack and check carefully to ensure that there is no transportation damage before using the unit.
- This product is for indoor use only. Use only in a dry location.
- DO install and operate by qualified operator.
- DO NOT allow children to operate the fixture.
- Use safety chain when fixing the unit. Handle the unit by carrying its base instead of head only.
- The unit must be installed in a location with adequate ventilation, at least 50cm from adjacent surfaces.
- Be sure that no ventilation slots is blocked, otherwise the unit will be overheated.
- Before operation, ensure that you are connecting this product to the proper voltage in accordance with the specifications in this manual or on the product's specification label.
- It's important to ground the yellow/green conductor to earth in order to avoid electric shock.
- Minimum ambient temperature TA: 0°C. Maximum ambient temperature TA: 40°C. Do not operate this product at a lower or higher temperature.
- DO NOT connect the device to any dimmer pack.
- Keep flammable materials away from the fixture while operating to avoid fire hazard.
- Make sure the power cord is not crimped or damaged; replace it immediately if damaged.
- Avoid any flammable liquids, water or metal from entering the unit. Once it happens, cut off the mains power immediately.
- DO NOT operate in a dirty or dusty environment. DO clean the fixture regularly.

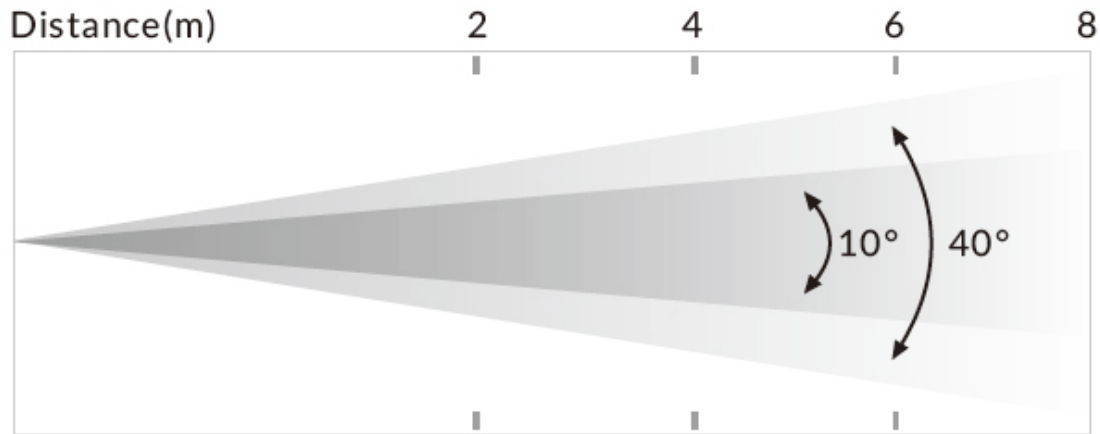
- DO NOT touch any wire during operation as there might be a hazard of electric shock.
- Avoid entanglement of the power cord with other wires.
- In the event of serious operating problem, stop using the unit immediately.
- Never turn on and off the unit time after time.
- The housing, the lenses, or the ultraviolet filter must be replaced if they are visibly damaged.
- DO NOT open the housing as there are no user serviceable parts inside.
- DO NOT attempt to operate this unit if it becomes damaged. DO NOT attempt any repairs yourself. Repairs carried out by unskilled people can lead to damage or malfunction. Please contact the nearest authorized technical assistance center if needed.
- Disconnect this product from its power source before servicing.
- DO use the original packaging if the device is to be transported.
- Avoid direct eye exposure to the light source while the product is on.
- DO NOT operate this product if you see damage on the housing, shields, or cables. Have the damaged parts replaced by an authorized technician at once.

02/ Technical Specifications

Power Voltage	100-240V~ 50/60Hz		
Power Consumption	255W		
Light Source	G3FS587-U1208N273273 (WW)		
	G3FS716-J1208N273273e (CW)		
	G3FS1008-J1208 N273273e (NW)		
Color Temperature	3000K (WW)		
	5700K (CW)		
	4000K (NW)		
Zoom Range	10°-40°		
Dimmer/Strobe	0-100% smooth dimming; outstanding strobe effect with variable speed		
Movement	Pan	540°	
	Tilt	200°	
	Pan/Tilt Resolution	16 bit	
	Automatic pan/tilt position correction		
Control	DMX Channel	7/9/10 Channels	
	Control Mode	DMX512	
		RDM	
Firmware Upgrade	via DMX link or USB disk		
Construction	Display	LCD display	
	Data In/Out	3-pin XLR (5-pin XLR is optional)	
	Power In/Out	Power Cord in	
	Protection Rating	IP20	
Features	It's powered by a high output C.O.B. (Chip on Board) LED on a moving head base		
	Large and uniform lighting, ideal for stages, theaters, churches, ballrooms, concerts and other venues		
Dimensions	309.8x218x451.5mm	12.2"x8.6"x17.8" in	
Weight	10.9kgs	24lbs	

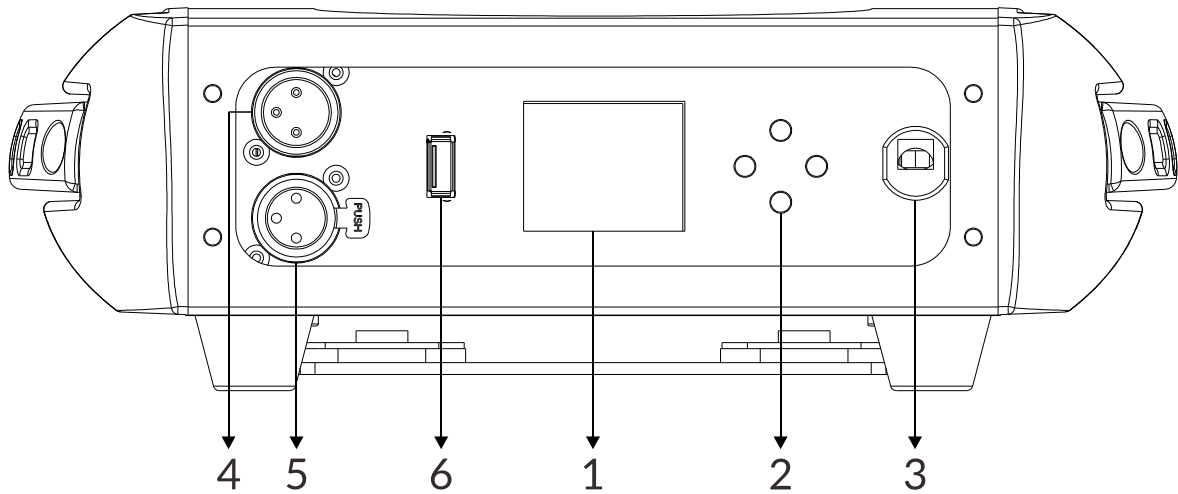


Photometric Diagram:



	2	4	6	8
10° Lux(WW)	62,400	15,650	7,227	3,900
10° Lux(CW)	71,136	17,841	8,239	4,446
10° Lux(NW)	67,392	16,902	7,805	4,212
Diameter(m)(WW/CW)	0.6	1.1	1.7	2.2
Diameter(m)(NW)	0.4	0.7	1.1	1.4
40° Lux(WW)	4,800	1,320	626	300
40° Lux(CW)	5,472	1,505	714	342
40° Lux(NW)	5,184	1,426	676	324
Diameter(m)(WW/CW)	2.3	4.6	7	9.3
Diameter(m)(NW)	0.7	1.5	2.2	3

03/ Control Panel



1. Display	To show the various menus and the selected function	
2. Buttons	MENU	To enter into move backward or leave the menu
	▲ UP	To go backward to move up in the menu
	▼ DOWN	To go forward to move down in the menu
	ENTER	To perform the desired functions
3. POWER IN	To connect to supply power	
4. DMX IN	For DMX512 link, use 3-pin XLR cable to link the unit and DMX controller to input DMX signal (5-pin XLR cable is optional)	
5. DMX OUT	For DMX512 link, use 3-pin XLR cable to link the next units to output DMX signal (5-pin XLR cable is optional)	
6. SERVICE PORT	Used to upgrade fixture's firmware	

04/ How To Set The Unit

4.1 Main Functions

- ▶ To access the control menus, press the [MENU] button.
- ▶ Navigate the menu structure, using the [ENTER], [▲ UP] and [▼ DOWN] buttons.
- ▶ To select a menu option or to confirm a selection, press the [ENTER] button.
- ▶ To return to a higher level in the menu structure without making a change, press the [MENU] button, or wait 30 seconds.

The main functions are shown below:

MENU	SUBMENU	OPTIONS		
DMX Functions	DMX Address	1-506 (7 CH)	(Default=1)	
		1-504 (9 CH)		
		1-503 (10 CH)		
	DMX Channel Mode	Mode 1 (7)		
		Mode 2 (9)		
		Mode 3 (10)		
	DMX State	Blackout		
		Hold		
	View DMX Value			
	Fixture Setting	Pan Inverse	No	
Yes				
Tilt Inverse		No		
		Yes		
P/T Feedback		No		
		Yes		
Bl. O. P/T Move		No		
		Yes		
Dimmer Curve		Liner		
		Square Law		
		Inv SQ Law		
		S Curve		
Dimmer Speed		Fast		
		Smooth		

MENU	SUBMENU	OPTIONS	
Display Setting	Display Inverse	No	
		Yes	
	Backlight Switch	Off	
		On	
	Backlight Intensit	1-10	(Default=10)
	Temperature Unit	°C	
		°F	
Language	English		
	Chinese		
Fixture Test	Auto Test		
	Manual Test	Pan	0-255
		Pan Fine	0-255
		Tilt	0-255
		Tilt Fine	0-255
		P/T Sp.	0-255
		Zoom	0-255
		Dimmer	0-255
		Dimmer Fine	0-255
Spe. Func	0-255		
Fixture Information	Fixture use time		
	Temperature		
	Fan State		
	USB Upgrade File		
	Firmware Version		
Reset Functions	Pan/Tilt	No	
		Yes	
	Zoom	No	
		Yes	
	All	No	
		Yes	
Special Functions	Factory Setting	No	
		Yes	

DMX Functions

Enter the control menu and select **DMX Functions**, press ENTER. Use the UP/DOWN button to select **DMX Address**, **DMX Channel Mode**, **DMX State** or **View DMX Value**.

DMX Address

Select **DMX Address**, press ENTER.

Use UP/DOWN button to select an address, confirm your selection with ENTER.

CHANNEL MODE	DMX ADDRESS
Mode 1 (7)	1-506
Mode 2 (9)	1-504
Mode 3 (10)	1-503

To exit the menu, press MENU, or wait 30 seconds.

DMX Channel Mode

Select **DMX Channel Mode**, press ENTER.

Use UP/DOWN button to select between **Mode 1 (7)**, **Mode 2 (9)** and **Mode 3 (10)**, confirm your selection with ENTER.

To exit the menu, press MENU, or wait 30 seconds.

DMX State

Select **DMX State**, press ENTER.

Use UP/DOWN button to select one of the following status:

Blackout (Fixture blacks out if DMX signal stops)

Hold (The device continues to operate in the current mode with the last active DMX values until the signal returns)

Confirm your selection with ENTER.

To exit the menu, press MENU, or wait 30 seconds.

View DMX Value

Select **View DMX Value**, press ENTER.

Use UP/DOWN button to select the desired DMX channel, for which the value is to be displayed.

To exit the menu, press MENU, or wait 30 seconds.

Fixture Setting

Enter the control menu and select **Fixture Setting**, press ENTER. Use the UP/DOWN button to select **Pan Inverse**, **Tilt Inverse**, **P/T Feedback**, **Bl. O. P/T Move**, **Dimmer Curve** or **Dimmer Speed**.

Pan Inverse

Select **Pan Inverse**, press ENTER.

Use UP/DOWN button to select **No** (pan invert deactivated) or **Yes** (pan invert activated), confirm your selection with ENTER.

To exit the menu, press MENU, or wait 30 seconds.

Tilt Inverse

Select **Tilt Inverse**, press ENTER.

Use UP/DOWN button to select **No** (tilt invert deactivated) or **Yes** (tilt invert activated), confirm your selection with ENTER.

To exit the menu, press MENU, or wait 30 seconds.

P/T Feedback

Select **P/T Feedback**, press ENTER.

Use UP/DOWN button to select **No** (pan/tilt feedback deactivated) or **Yes** (pan/tilt feedback activated), confirm your selection with ENTER.

To exit the menu, press MENU, or wait 30 seconds.

Bl. O. P/T Move

Select **Bl. O. P/T Move**, press ENTER.

Use UP/DOWN button to select **No** (blackout while pan/tilt move deactivated) or **Yes** (blackout while pan/tilt move activated), confirm your selection with ENTER.

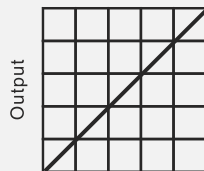
To exit the menu, press MENU, or wait 30 seconds.

Dimmer Curve

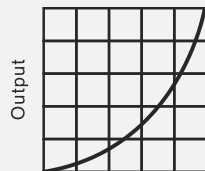
Select **Dimmer Curve**, press ENTER.

Use UP/DOWN button to select **Liner**, **Square Law**, **Inv SQ Law** or **S Curve**, confirm your selection with ENTER.

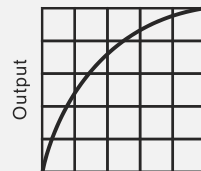
Dimmer Modes



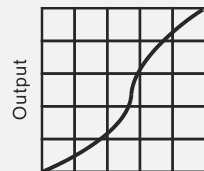
Optically Linear



Square Law



Inverse Square Law



S-curve

To exit the menu, press MENU, or wait 30 seconds.

Dimmer Speed

Select **Dimmer Speed**, press ENTER.

Use UP/DOWN button to select **Fast** or **Smooth**, confirm your selection with ENTER.

To exit the menu, press MENU, or wait 30 seconds.

Display Setting

Enter the control menu and select **Display Setting**, press ENTER. Use the UP/DOWN button to select **Display Inverse**, **Backlight Switch**, **Backlight Intensity**, **Temperature Unit** or **Language**.

Display Inverse

Select **Display Inverse**, press ENTER.

Use UP/DOWN button to select **No** (display normal) or **Yes** (display inverted), confirm your selection with ENTER.

To exit the menu, press MENU, or wait 30 seconds.

Backlight Switch

Select **Backlight Switch**, press ENTER.

Use UP/DOWN button to select **Off** or **On**, confirm your selection with ENTER.

To exit the menu, press MENU, or wait 30 seconds.

Backlight Intensity

Select **Backlight Intensity**, press ENTER.

Use UP/DOWN button to select a value between **1** (dark) and **10** (bright), confirm your selection with ENTER.

To exit the menu, press MENU, or wait 30 seconds.

Temperature Unit

Select **Temperature Unit**, press ENTER.

Use UP/DOWN button to select **°C** or **°F**, confirm your selection with ENTER.

To exit the menu, press MENU, or wait 30 seconds.

Language

Select **Language**, press ENTER.

Use UP/DOWN button to select **English** or **Chinese**, confirm your selection with ENTER.

To exit the menu, press MENU, or wait 30 seconds.

Fixture Test

Enter the control menu and select **Fixture Test**, press ENTER. Use the UP/DOWN button to select **Auto Test** or **Manual Test**.

Auto Test

Select **Auto Test**, press ENTER.

The device immediately performs an automatic self-test.

To end the automatic self-test and exit the menu, press MENU, or wait 30 seconds.

Manual Test

Select **Manual Test**, press ENTER.

Use UP/DOWN button to select the channel for which the manual test is to be performed, confirm your selection with ENTER.

Use UP/DOWN button to select a value, confirm your selection with ENTER.

To exit the menu, press MENU, or wait 30 seconds.

(All channels value will become 0 after exiting 'Manual Test' menu)

Fixture Information

Enter the control menu and select **Fixture Information**, press ENTER. Use the UP/DOWN button to select **Fixture use time**, **Temperature**, **Fan State**, **USB Upgrade File** or **Firmware Version**.

Fixture use time

Select **Fixture use time**, press ENTER.

The operating hours is displayed.

To exit the menu, press MENU, or wait 30 seconds.

Temperature

Select **Temperature**, press ENTER.

The device temperature is displayed.

To exit the menu, press MENU, or wait 30 seconds.

Fan State

Select **Fan State**, press ENTER.

The fan status is displayed.

To exit the menu, press MENU, or wait 30 seconds.

USB Upgrade File

Select **USB Upgrade File**, press ENTER.

The device upgrade file is displayed.

To exit the menu, press MENU, or wait 30 seconds.

Firmware Version

Select **Firmware Version**, press ENTER.

The firmware version is displayed.

To exit the menu, press MENU, or wait 30 seconds.

Reset Functions

Enter the control menu and select **Reset Functions**, press ENTER. Use the UP/DOWN button to select **Pan/Tilt**, **Zoom** or **All**.

Pan/Tilt

Select **Pan/Tilt**, press ENTER.

Use UP/DOWN button to select **No** or **Yes** (the device will run built-in program to reset pan/tilt to their home positions), confirm your selection with ENTER.

To exit the menu, press MENU, or wait 30 seconds.

Zoom

Select **Zoom**, press ENTER.

Use UP/DOWN button to select **No** or **Yes** (the device will run built-in program to reset zoom to its home positions), confirm your selection with ENTER.

To exit the menu, press MENU, or wait 30 seconds.

All

Select **All**, press ENTER.

Use UP/DOWN button to select **No** or **Yes** (the device will run built-in program to reset all to their home positions), confirm your selection with ENTER.

To exit the menu, press MENU, or wait 30 seconds.

Special Functions

Enter the control menu and select **Special Functions**, press ENTER. Use the UP/DOWN button to select **Factory Setting**.

Factory Setting

Select **Factory Setting**, press ENTER.

If you wish to reset the device to the factory settings, select **Yes**. If you do not wish to reset anything, select **No**. Confirm your selection with ENTER.

To exit the menu, press MENU, or wait 30 seconds.

RDM functions: Certain menus of the device and functions can be called up via the RDM protocol.

The parameter IDs are implemented as follows for different commands:

Parameter ID	Command 'Discovery'	Command 'Set'	Command 'Get'
DISC_UNIQUE_BRANCH	√		
DISC_MUTE	√		
DISC_UN_MUTE	√		
DEVICE_INFO			√
SUPPORTED_PARAMETERS			√
SOFTWARE_VERSION_LABEL			√
DMX_START_ADDRESS		√	√
IDENTIFY_DEVICE		√	√
DEVICE_MODEL_DESCRIPTION			√
PARAMETER_DESCRIPTION			√
MANUFACTURER_LABEL			√
DEVICE_LABEL		√	√
FACTORY_DEFAULTS		√	√
DMX_PERSONALITY		√	√
DMX_PERSONALITY_DESCRIPTION			√
SLOT_INFO			√
SLOT_DESCRIPTION			√
SENSOR_DEFINITION			√
SENSOR_VALUE			√
DEVICE_HOURS			√
PAN_INVERT		√	√
TILT_INVERT		√	√
RESET_DEVICE		√	

√ -Command implemented for the respective parameter ID

4.2 Home Position Adjustment

- ▶ To access the control menus, press the [MENU] button.
- ▶ To access the offset menus, long-press the [ENTER] button.
- ▶ Navigate the offset menus, using the [ENTER], [▲ UP] and [▼ DOWN] buttons.
- ▶ To select a menu option or to confirm a selection, press the [ENTER] button.
- ▶ To return to a higher level in the menu structure without making a change, press the [MENU] button, or wait 30 seconds.

OFFSET MENU	VALUES
Pan	-128~127
Tilt	-128~127
Zoom	0~255
Dimmer	0~255

Pan

Select **Pan**, press ENTER.

Use UP/DOWN button to select a value between -128 and 127, confirm your selection with ENTER.

To exit the offset menu, press MENU, or wait 30 seconds.

Tilt

Select **Tilt**, press ENTER.

Use UP/DOWN button to select a value between -128 and 127, confirm your selection with ENTER.

To exit the offset menu, press MENU, or wait 30 seconds.

Zoom

Select **Zoom**, press ENTER.

Use UP/DOWN button to select a value between 0 and 255, confirm your selection with ENTER.

To exit the offset menu, press MENU, or wait 30 seconds.

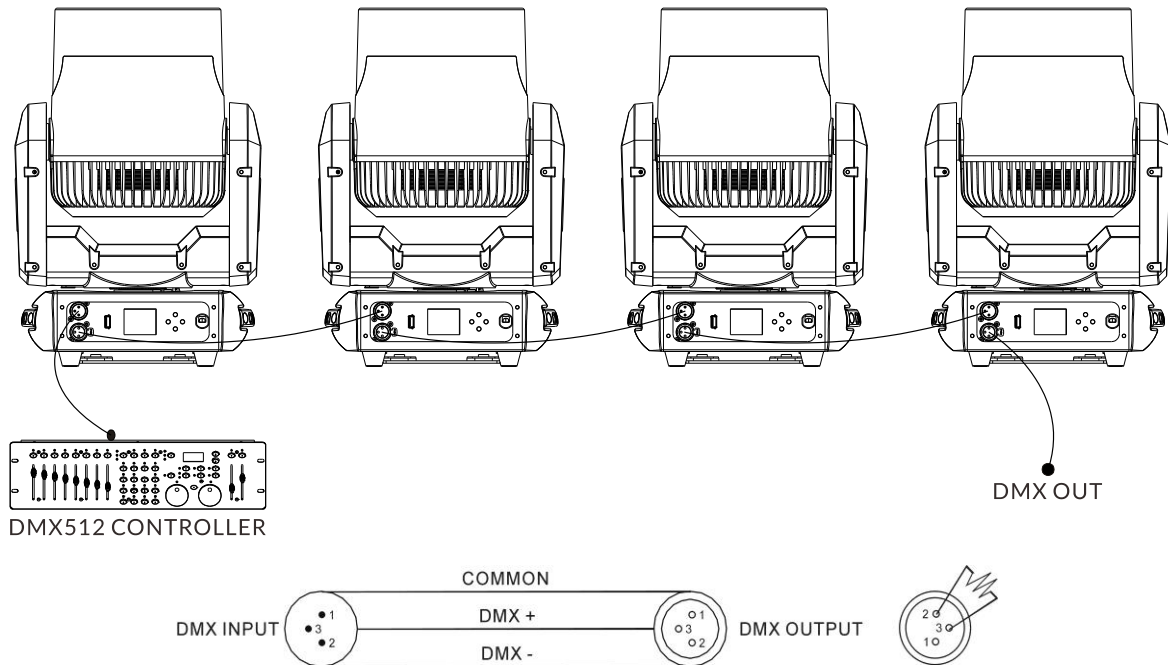
Dimmer

Select **Dimmer**, press ENTER.

Use UP/DOWN button to select a value between 0 and 255, confirm your selection with ENTER.

To exit the offset menu, press MENU, or wait 30 seconds.

5.1 DMX512 Connection



1. At last unit, the DMX cable has to be terminated with a terminator. Solder a 120-ohm 1/4W resistor between pin 2(DMX-) and pin 3(DMX+) into a 3-pin XLR-plug and plug it in the DMX-output of the last unit.
2. Connect the unit together in a “daisy chain” by XLR plug cable from the output of the unit to the input of the next unit. The cable can only be used in series and cannot be connected in parallel. DMX 512 is a very high-speed signal. Inadequate or damaged cables, soldered joints or corroded connectors can easily distort the signal and shut down the system.
3. The DMX output and input connectors are pass-through to maintain the DMX circuit, when one of the units' power is disconnected.
4. Each lighting unit needs to have a DMX address to receive the data by the controller. The address number is between 1-512.
5. The end of the DMX 512 system should be terminated to reduce signal errors.
6. 3 pin XLR connectors are more popular than 5 pins XLR.
 - 3 pin XLR: Pin 1: GND, Pin 2: Negative signal (-), Pin 3: Positive signal (+)
 - 5 pin XLR: Pin 1: GND, Pin 2: Negative signal (-), Pin 3: Positive signal (+), Pin4, Pin5 not used.

5.2 Address Setting

If you use a universal DMX controller to control the units, you have to set DMX address between 1 and 512 so that the units can receive DMX signal.

Press the MENU button to access the control menus, select DMX Functions, press the ENTER button to confirm. Use the UP/DOWN button to select DMX Address, press the ENTER button to confirm, the present address will show on the display. Use the UP/DOWN button to adjust the address between 001 and 512, press the ENTER button to store. To exit the menu, press MENU, or wait 30 seconds.

Please refer to the following diagram to address your DMX512 channel for the first 4 units.

Channel Mode	Unit 1 Address	Unit 2 Address	Unit 3 Address	Unit 4 Address
7 channels	1	8	15	22
9 channels	1	10	19	28
10 channels	1	11	21	31

5.3 DMX512 Configuration

Please control the fixture by referring to the configurations below.

Attentions:

- ▶ The unit will maintain the last condition until reset if you cut-off the DMX signal.
- ▶ For the channel Function, keep the value for about 3 seconds, then the corresponding function will take into effect.

7 Channels (Mode 1):

CHANNEL	VALUE	FUNCTION
1	000-255	PAN 0°→540°
2	000-255	TILT 0°→200°
3	000-255	PAN/TILT SPEED Fast to Slow
4	000-255	ZOOM Wide→Narrow
5	000-255	DIMMER 0%→100%
6	000-255	DIMMER FINE
7	000-069 070-079 080-089 090-139 140-149 150-169 170-179 180-199 200-209 210-255	SPECIAL FUNCTION Null Blackout While Pan/Tilt Move Enable Blackout While Pan/Tilt Move Disable Null Pan/Tilt Reset Null Zoom Reset Null All Reset Null

9 Channels (Mode 2):

CHANNEL	VALUE	FUNCTION
1	000-255	PAN 0°→540°
2	000-255	PAN FINE
3	000-255	TILT 0°→200°
4	000-255	TILT FINE
5	000-255	PAN/TILT SPEED Fast to Slow
6	000-255	ZOOM Wide→Narrow
7	000-255	DIMMER 0%→100%
8	000-255	DIMMER FINE
9	000-069 070-079 080-089 090-139 140-149 150-169 170-179 180-199 200-209 210-255	SPECIAL FUNCTION Null Blackout While Pan/Tilt Move Enable Blackout While Pan/Tilt Move Disable Null Pan/Tilt Reset Null Zoom Reset Null All Reset Null

10 Channels (Mode 3):

CHANNEL	VALUE	FUNCTION
1	000-255	PAN 0°→540°
2	000-255	PAN FINE
3	000-255	TILT 0°→200°
4	000-255	TILT FINE
5	000-255	PAN/TILT SPEED Fast to Slow
6	000-255	ZOOM Wide→Narrow
7	000-255	DIMMER 0%→100%
8	000-255	DIMMER FINE
9	000-031 032-063 064-095 096-127 128-159 160-191 192-223 224-255	STROBE Close Open Strobe from Slow to Fast Open Fast Open Slow Close from Slow to Fast Open Random Strobe from Slow to Fast Open
10	000-069 070-079 080-089 090-139 140-149 150-169 170-179 180-199 200-209 210-255	SPECIAL FUNCTION Null Blackout While Pan/Tilt Move Enable Blackout While Pan/Tilt Move Disable Null Pan/Tilt Reset Null Zoom Reset Null All Reset Null

06/ Troubleshooting

Following are a few common problems that may occur during operation. Here are some suggestions for troubleshooting:

A. The unit does not work, no light and the fan does not work

- ▶ Check the connected power.
- ▶ Measure the voltage.
- ▶ Check the power indicator to see whether it can be lit up or not.

B. Not responding to the DMX controller

- ▶ Check whether the DMX connectors and the DMX cables are connected correctly.
- ▶ Check whether the DMX address is correctly set.
- ▶ If the intermittent DMX signal problem occurs, check whether the XLR socket and the signal cable are well connected.
- ▶ Try it with another DMX controller.
- ▶ Check whether the DMX cables run near or alongside to the high-voltage cables, which may damage or interfere with the signal circuit.

C. One of the channels is not working well

- ▶ The stepper motor might be damaged or the cable connected to the PCB might be broken.
- ▶ The motor's drive IC on the PCB might be out of condition.

07/ Fixture Cleaning

It is absolutely essential that the fixture is kept clean to ensure the maximum light-output and allow the fixture to function reliably throughout its life. The fixture must be cleaned regularly to avoid dust, dirt and smoke-fluid residues building up on or within the fixture. The cleaning frequency depends on the application environment. Clean the fixture immediately if the dust enters it to avoid damage to the optical lens due to excessive dust.

- ▶ A soft lint-free cloth moistened with any good glass cleaning fluid is recommended, under no circumstances should solvents be used.
- ▶ Always dry the parts carefully.
- ▶ Clean the external optical lens at least every 20 days and the internal optical lens every 30 days.



www.acme.com.cn