



## DMX SPLITTER



## User Manual

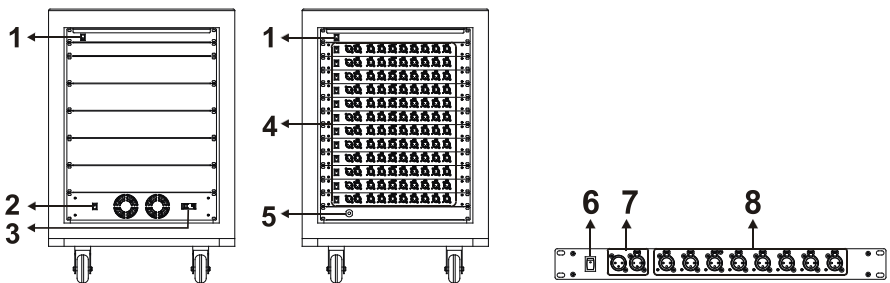
Please read the instruction carefully before use

DMX SPLITTER is a DMX signal distributor, It has 12 groups of DMX splitters. It's specially designed for connections of DMX receivers (Moving heads, color changers, dimmers, etc.) in a daisy chain configuration. It has 32/96 outputs and each output provides total electrical isolation. This greatly decreases problems with ground loops. The electrical isolation of each output will protect major lighting console not to be damaged from other equipment. It is suitable to the application that DMX 512 signal have been weakened because of long distance transmission. It will efficiently buffer and magnify the DMX signal that makes the DMX data transmission more accurate and reliable.

## 1. Features

- Fully controlled by DMX-512 (1990)
- Buffer, magnify, distribute DMX signal effectively
- 12 groups of DMX splitters .1 DMX in, 1 DMX Through, 8 ways isolated DMX splitter output for each group
- Input/ Outputs 3-pin XLR
- Outputs are electrical isolated from each other over 1000V

## 2. Front /Rear View



- |   |                          |  |
|---|--------------------------|--|
| 1 | Floodlight Switch:       | Power On/Off the unit                            |
| 2 | Floodlight Switch:       | Power On/Off the fan                             |
| 3 | Master switch:           | Power On/Off the unit                            |
| 4 | 12 groups DMX splitters: | Each group is independent of each other          |
| 5 | Mains supply:            | Connect to the power cord                        |
| 6 | DMX splitters switch:    | Power On/Off the DMX splitters                   |
| 7 | DMX In/Out:              | 1 DMX in, 1 DMX Through                          |
| 8 | DMX OUT:                 | 8 way DMX output, every way electrical isolation |

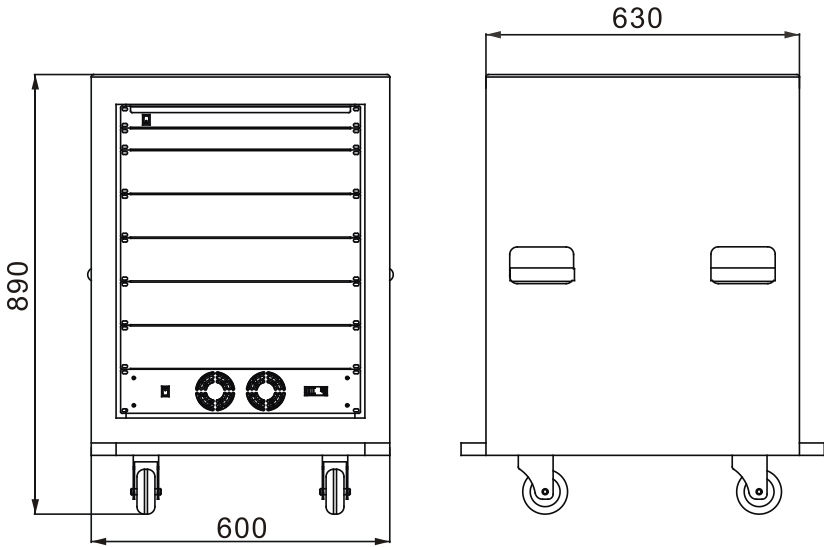
### **3. Specifications**

Power Supply: 100- 240V~ 50/60Hz

Size: 600x630x890MM

Power consumption : 65W

Weight: 87KG



**Innovation, Quality, Performance**