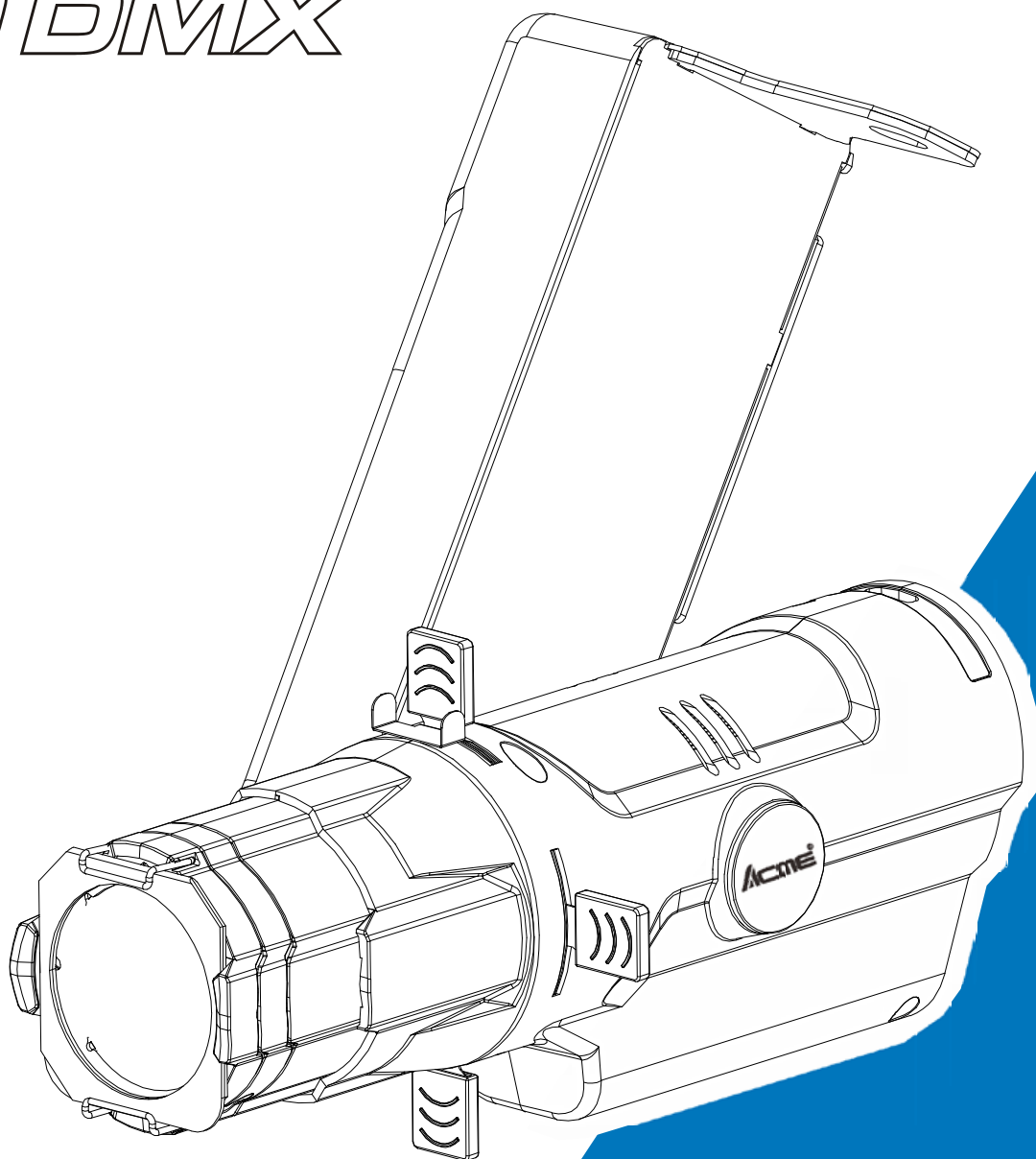




*Ellipsoidal
10 DMX*

*Ellipsoidal
40 DMX*



User Manual

Please read the instruction carefully before use

Features:

E-10D/E-40D is DMX Version, uniform light, sharp image edge, and self-locking focus lens. The product takes advantage of the heat pipe heat conduction and housing feature to dissipate heat without fan to prolong LED life.

Specifications:

◇ **Power Voltage:** AC 100~240V, 50/60Hz

◇ **Power Consumption:** 15W (E-10D)

30W (E-40D)

◇ **Light Source:**

E-10D CW DXX: LTAW1202-012-007-5500

E-10D WW DXX: LTAW1202-012-007-3150

E-40D CW DXX: C117C1206-036-001

E-40D WW DXX: C117W1206-036-001

◇ **Color temperature:** 5600±150K (E-10D/40D CW)

3200±150K (E-10D/40D WW)

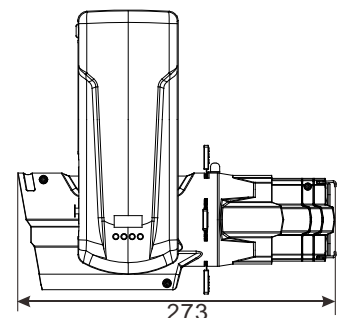
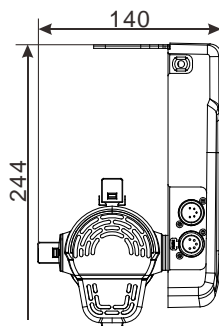
◇ **Beam Angle:** 19°/26°/36°/50°

◇ **CRI**≥95

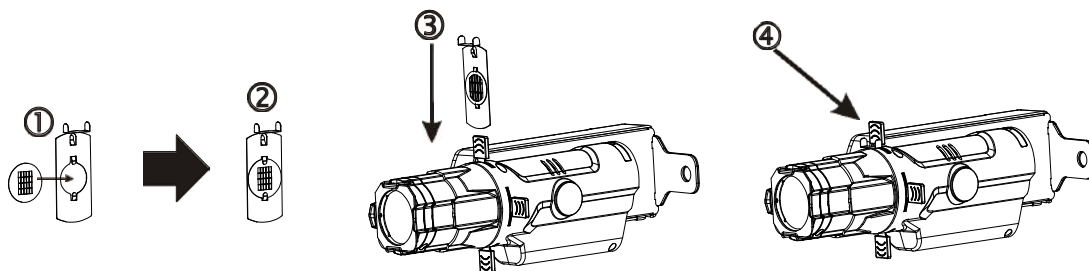
◇ **Dimension/Weight:**

273 x 244 x 140 mm, 2kgs

10.7"x9.6"x5.5" in, 4.4lbs

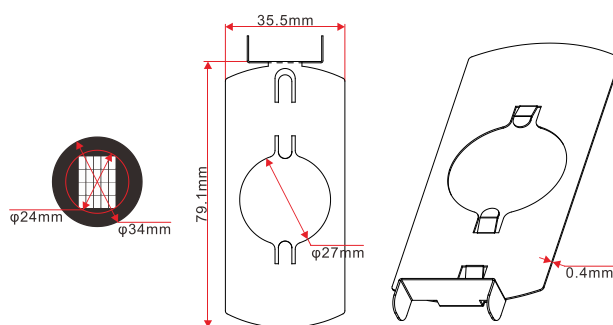


How To Change The Gobo

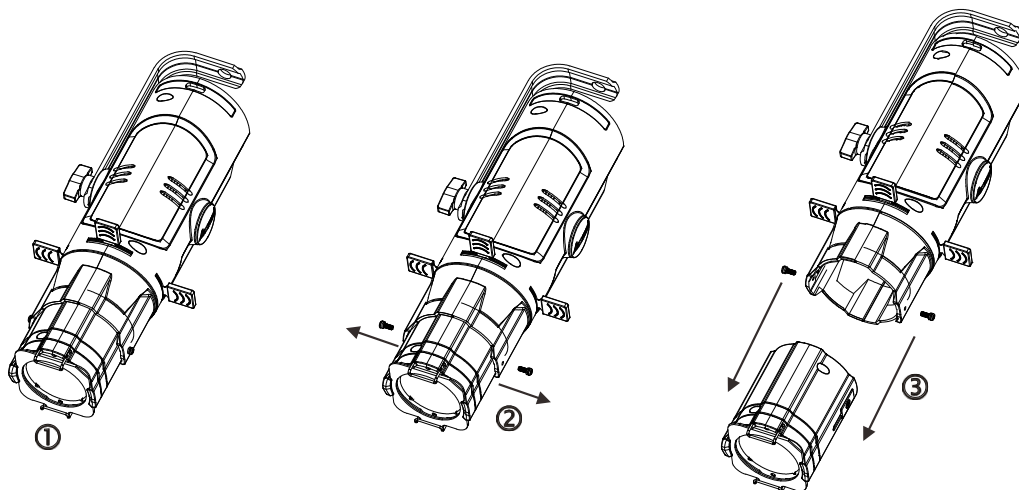


At first, put the gobo by hand as the arrow into the gobo gel splint, and insert the gobo gel splint into the slot of the unit, please turn the hand knob to left or right in order to take out gobo gel splint.

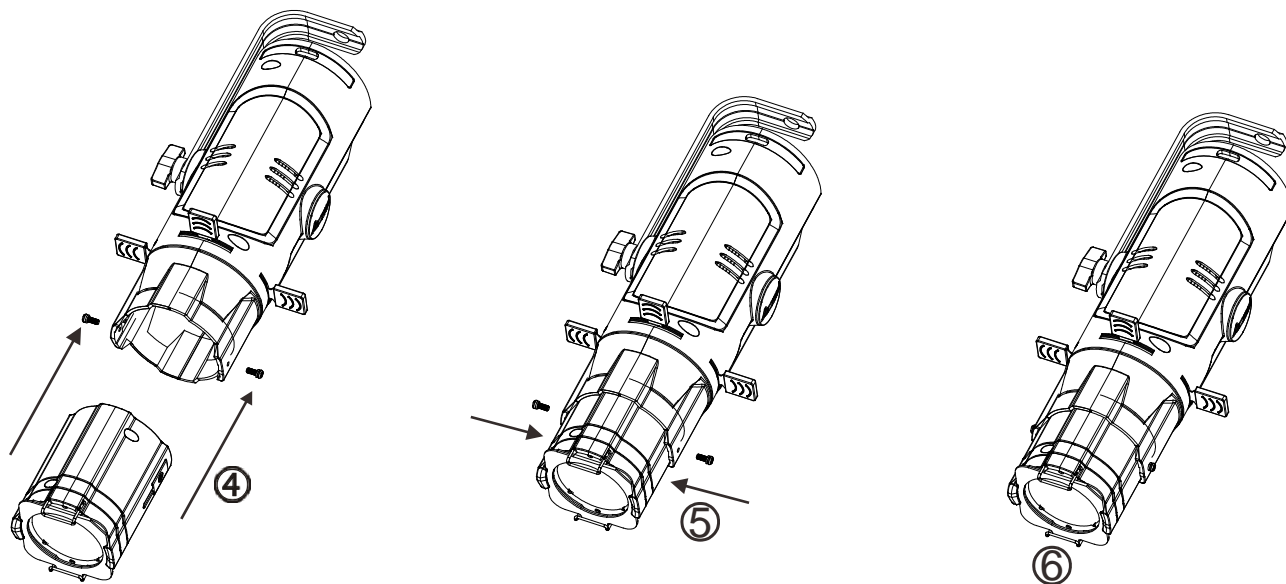
Note: The diameter of the inner and outer rings of the gobo, the size and thickness of the gobo gel splint are shown in the following figure:



How To Change The Focus Lens



At first, please push the screws on both side of the fixture by hand as the arrow, and move away the focus lens silently by hand as the arrow.

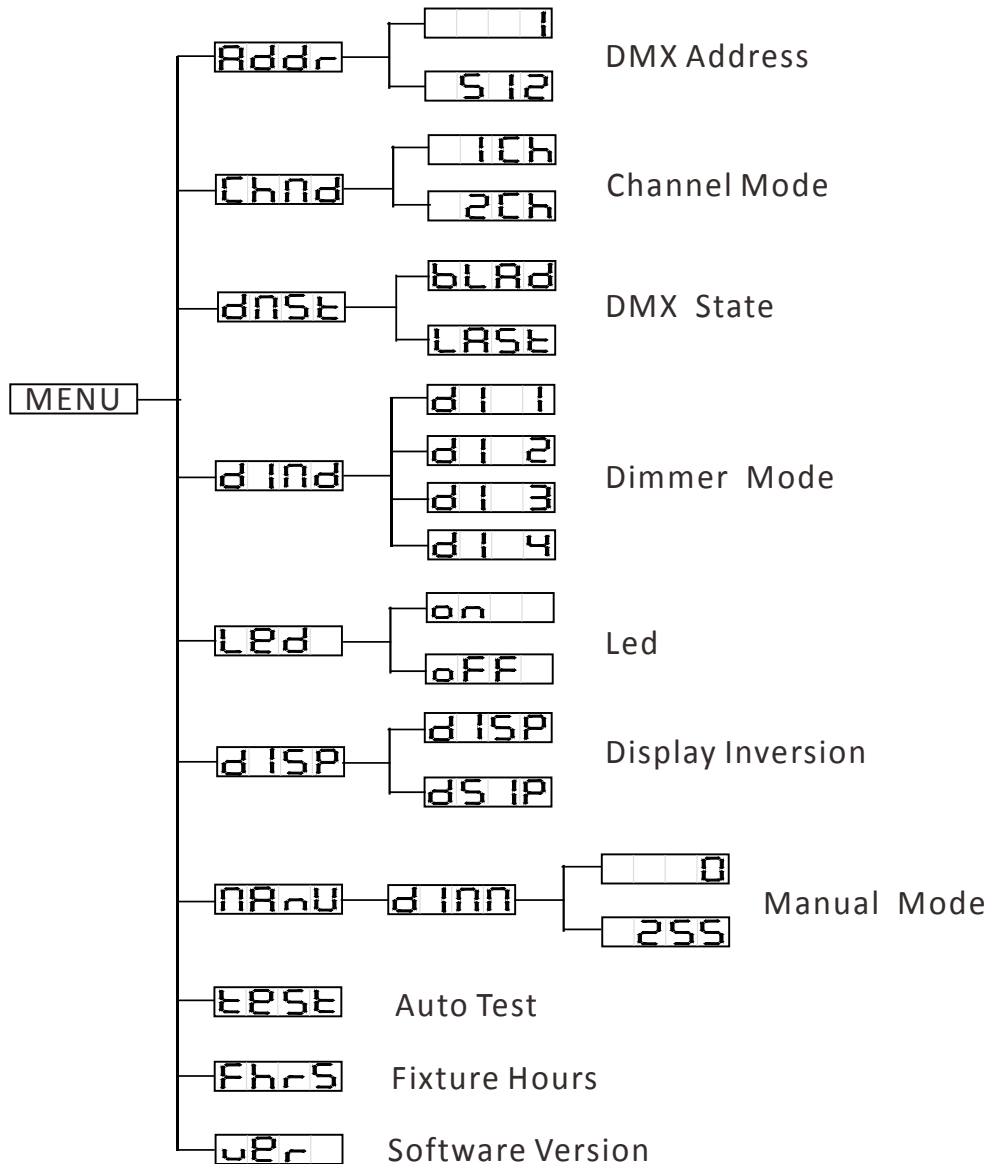


Then insert the focus lens as the arrow silently, and insert the screws in place by hand as the arrow, and fasten the lens.

Main Function

To select any of the given functions, press the **MENU** button up to when the required one is showing on the display. Select the function by **ENTER** button and the display will blink. Use the **DOWN/UP** button to change the mode. Once the required mode has been selected, press the **ENTER** button to setup, to go back to the functions without any change press the **MENU** button again. Hold and press the **MENU** button about one second or wait for one minute to exit the menu mode.

The main functions are showing below:



Addr DMX Address

Press the **MENU** button up to when the **Addr** is shown on the display. Press the **ENTER** button and the display will blink. Use the **DOWN** and **UP** button to change the value from **1** to **512**. Once the mode has been selected, press the **ENTER** button to setup, to go back to the functions without any change press the **MENU** button again. Hold and press the **MENU** button about one second or wait for one minute to exit the menu mode.

CHND Channel Mode

Press the **MENU** button to show **CHND** on the display. Press the **ENTER** button and the display will blink. Use the **DOWN** and **UP** button to select **1ch** or **2ch**. Once the mode has been selected, press the **ENTER** button to setup, to go back to the functions without any change press the **MENU** button again. Hold and press the **MENU** button about one second or wait for one minute to exit the menu mode.

DNSE DMX State

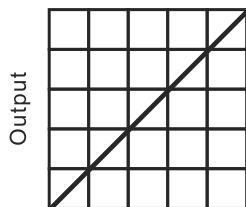
Press the **MENU** button up to when the **DNSE** is shown on the display. Press the **ENTER** button and the display will blink. Use the **DOWN** and **UP** button to select the **BLRD** (**blackout mode**) or **LRSE** (**last state**). Once the mode has been selected, press the **ENTER** button to setup, to go back to the functions without any change press the **MENU** button again. Hold and press the **MENU** button about one second or wait for one minute to exit the menu mode.

DI ND Dimmer Mode

Press the **MENU** button up to when the **DI ND** is shown on the display. Press the **ENTER** button and the display will blink.. Use the **DOWN** and **UP** button to select the **DI 1** (**dimmer 1**), **DI 2** (**dimmer 2**), **DI 3** (**dimmer 3**) or **DI 4** (**dimmer 4**). Once the mode has been selected,

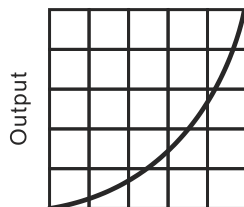
press the **ENTER** button to setup, to go back to the functions without any change press the **MENU** button again. Hold and press the **MENU** button about one second or wait for one minute to exit the menu mode.

Dimmer Modes



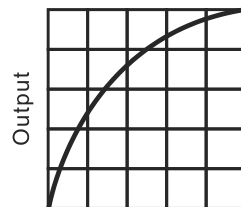
DMX %

Optically Linear



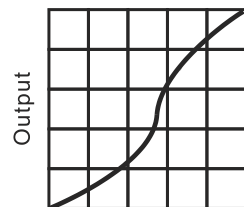
DMX %

Square Law



DMX %

Inverse Square Law



DMX %

S-curve

Mode 1(Optically Linear):

The increase in light intensity appears to be linear as DMX value is increased.

Mode 2(Square Law):

Light intensity control is finer at low levels and coarser at high levels.

Mode 3(Inverse Square Law):

Light intensity control is coarser at low levels and finer at high levels.

Mode 4(S-curve):

Light intensity control is finer at low levels and high levels and coarser at medium levels.

LED LED

Press the **MENU** button up to when the **LED** is shown on the display.

Press the **ENTER** button and the display will blink. Use the **DOWN** and **UP**

button to select **ON** (**On**) or **OFF** (**Off**), Once the mode has been

selected, press the **ENTER** button to setup, to go back to the functions without any change press the **MENU** button again. Hold and press the **MENU** button about one second or wait for one minute to exit the menu mode.

DISP Display Inversion

Press the **MENU** button until **DISP** is blinking on the display. Use the **DOWN** and **UP** button to select **DISP** (**normal**) or **DISP** (**inverse**). Once the mode has been selected, press the **ENTER** button to setup, to go back to the functions without any change press the **MENU** button again. Hold and press the **MENU** button about one second or wait for one minute to exit the menu mode.

MANU Manual Mode

Press the **MENU** button up to when the **MANU** is shown on the display. Press the **ENTER** button and the display will blink. Use the **DOWN** and **UP** button to select **dim** (dimmer). Once the mode has been selected, press the **ENTER** button to setup the value from **0** to **255**, to go back to the functions without any change press the **MENU** button again. Hold and press the **MENU** button about one second or wait for one minute to exit the menu mode.

EESE Auto Test

Press the **MENU** button up to when the **EESE** is blinking on the display. Press the **ENTER** button and the unit will run the built-in programmer for self-test. To go back to the functions press the **MENU** button.

FHFS Fixture Hours

Press the **MENU** button up to when the **FHFS** is blinking on the display. Press the **ENTER** button and the display will show the using hours of the unit. To go back to the functions press the **MENU** button.

VER Software Version

Press the **MENU** button up to when the **VER** is blinking on the display. Press the **ENTER** button and the display will show the version of software of the unit. To go back to the functions press the **MENU** button.

DMX Controller

By using a universal DMX controller to control the units, you will need to set DMX address from 1 to 512 so that the units can receive DMX signal.

Press the **MENU** button up to when the DMX Address is showing on the display. Pressing the **ENTER** button and the display will blink. Use the **DOWN/UP** button to change the DMX512 address. Once the address has been selected, press the **ENTER** button to setup, to go back to the

functions without any change press the **MENU** button again. Hold and press the **MENU** button about one second or wait for one minute to exit the menu mode.

Please refer to the following diagram to address your DMX512 channel for the first 4 units:

Channel mode	Unit 1 Address	Unit 2 Address	Unit 3 Address	Unit 4 Address
1 channels	1	2	3	4
2 channels	1	3	5	7

DMX512 Configuration

1 CH MODE (MODE 1):

CHANNEL	VALUE	FUNCTION
1	000-255	DIMMER 0%~100%

2 CH MODE (MODE 2):

CHANNEL	VALUE	FUNCTION
1	000-255	DIMMER 0%~100%

1	000-255	DIMMER FINE 0%~100%
---	---------	-------------------------------

Troubleshooting

The fixture does not work, no light

1. Check the connection of power and main fuse.
2. Measure the mains voltage on the main connector.

Fixture Cleansing

The cleaning of internal and external optical lenses and/or mirrors must be carried out periodically to optimize light output. Cleaning frequency depends on the environment in which the fixture operates: damp, smoky or particularly dirty surrounding can cause greater accumulation of dirt on the unit's optics.

- Clean with soft cloth and use normal glass to clean liquid.
- Always dry the parts carefully.
- Clean the external optics at least every 20 days. Clean the internal optics at least every 30 days.

Declaration of Conformity

We declare that our products (lighting equipments) comply with the following specification and bears CE mark in accordance with the provision of the Electromagnetic Compatibility (EMC) Directive 2014/30/EU.

EN 55032: 2015; EN 61000-3-2: 2014;
EN 61000-3-3: 2013; EN 55103-2: 2009.

&

Harmonized Standard

EN 60598-2-17: 1989+A2: 1991; EN 60598-1: 2015; EN 62471: 2008;
EN 62493: 2015; EN 62031: 2008+A1: 2013+A2: 2015.
Safety of household and similar electrical appliances
Part 1: General requirements

Innovation, Quality, Performance