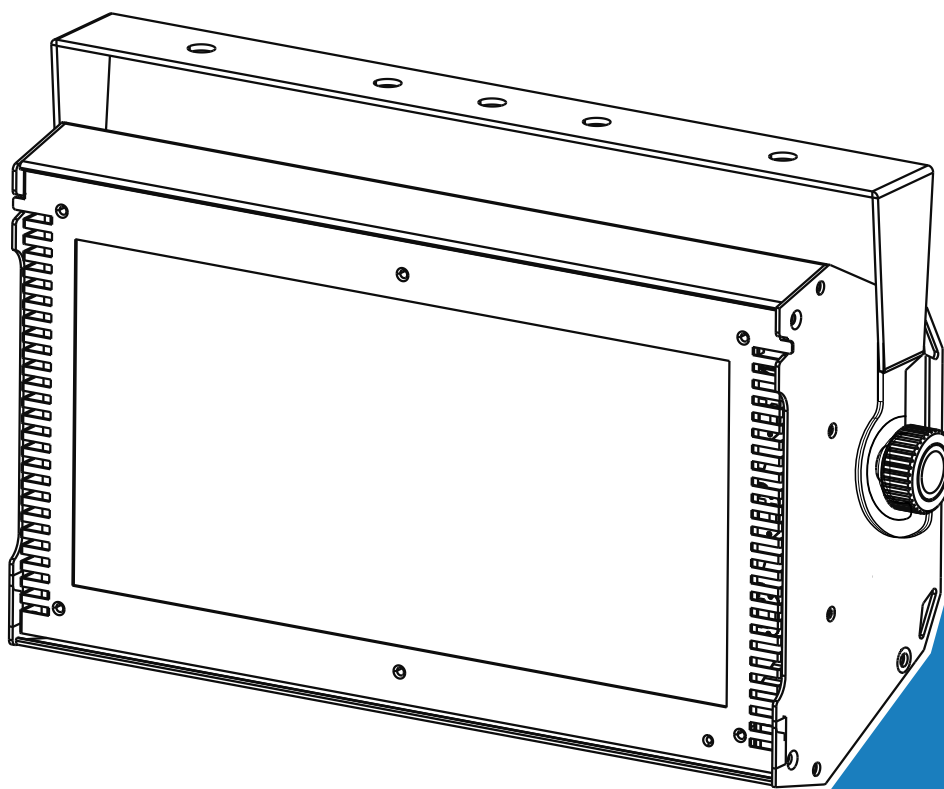




MEGA STROBE 5000



User Manual

Please read the instruction carefully before use

Table of Contents

1, Safety Information.....	3
2, Rear Panel.....	5
3, Preparation for Use	5
4, Main Function	6
5, Remote Control.....	11
6, Technical Specification.....	14

1. Safety Information

Warning: This product is for professional use only! It is not for household use.

The LED-ST5000 presents risks of lethal or severe injury due to fire and heat, electric shock, ultraviolet radiation, and falls. Flashing light is also known to trigger epileptic seizures in persons who are photosensitive. Read this manual before powering or installing the fixture, follow the safety precautions listed below and observe all warnings in this manual and printed on the fixture.

Noted: high voltage in the LED board!

Super power strobes, so please avoid extended periods of continuous flashing

To guard against electric shock

- Do not remove the rear cover: there are no user-serviceable parts inside.
- Always ground (earth) the fixture electrically.
- Use only a source of AC power that complies with local building and electrical codes and has both overload and ground-fault protection.
- Do not expose the fixture to rain or moisture.

To guard against UV radiation, burns, and fire

- Never operate the fixture with the front glass open, missing or damaged.
- Do not stare directly into the light. Never look at an exposed LED while it is lit.
- Never attempt to bypass the fuse. Always replace defective fuses with ones of the specified type and rating.
- Verify that the power feed cable is rated for the current draw of all connected fixtures.
- Keep all combustible materials (for example fabric, wood, paper) at least 0.5 meters (20 inches) away from the fixture. Keep flammable materials well away from the fixture.
- Minimum distance to illuminated surface is 10 meters.
- Provide a minimum clearance of 0.1 meters (4 inches) around air vents.
- Never place filters or other materials over the front glass cover.
- The exterior of the fixture can reach temperatures up to 120° C (248° F). Allow the

fixture to cool for at least 15 minutes before handling.

- Do not modify the fixture or install other than genuine parts.
- Do not operate the fixture if the ambient air temperature (T_a) exceeds 40° C (104° F).

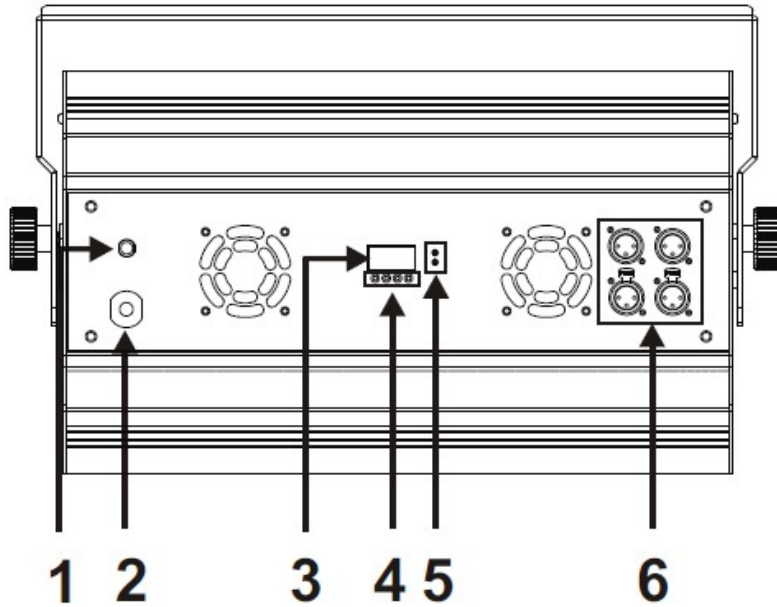
To guard against falls

- When suspending the fixture above ground level, verify that the structure can hold at least 10 times the weight of all installed devices.
- Verify that all external covers and rigging hardware are securely fastened and use an approved means of secondary attachment such as a safety cable.
- Block access below the work area whenever installing or removing the fixture.

To guard against epileptic seizure

- Do not operate the fixture near stairways.
- Provide advance notice that strobe lighting is in use.
- Avoid extended periods of continuous flashing, particularly at frequencies of 10 to 20 flashes per second.

2. Rear Panel



- 1, Fuse Holder
- 2, Main Power
- 3, LED display
- 4, Menu /UP/DOWN/ Enter button
- 5, DMX signal/ Flash indicator
- 6, DMX input/output

3. Preparation for Use

Table1: Cord cap wirings

INSTALLATION

The LED-ST5000 may be installed in any orientation. The mounting bracket provides five 12 mm holes for direct fastening or attachment of rigging clamps.

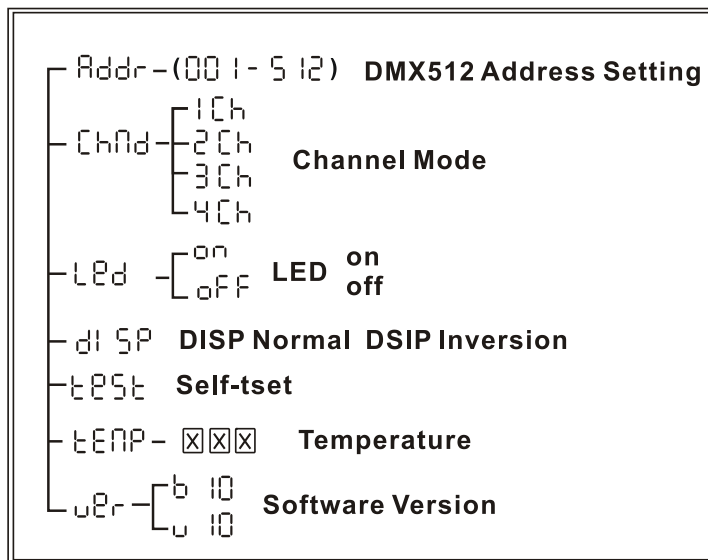
To install the mounting bracket

1. Place the fixture face down on a table.
2. Place an aluminum washer on each mounting bracket stud.
3. Make clear the direction of left and right side of bracket and lock the screws. After

that, tighten one hand knob to lock the mounting bracket in one end of bracket.

4. MAIN FUNCTION

Press MENU button enter the function, then use UP/DOWN or MENU button to select the function you want, final press ENTER button to confirm the function you select. Wait for 30 seconds, it will return to main interface. If you want back to main menu, please hold MENU button for 1 second. The main menu as follow:



4.1 Addr DMX 512 address setting

Select ADDR option and the display will blink, press ENTER button to confirm your selection. You can check the current DMX address from LED display. The DMX address can be changed by press UP/DOWN button and then press ENTER button to confirm your selection. Wait for 30 seconds, it will return to main interface. If you want back to main menu, please hold MENU button for 1 second.

4.2 ChNd Channel mode setting

Select CHMD option, press ENTER button to confirm your selection. Change the channel way (1/2/3/4) by press UP/DOWN button. Press ENTER button to confirm your selection. Wait for 30 seconds, it will return to main interface.

If you want back to main menu, please press MENU button.

4.3 LED display setting

Select the LED option, press ENTER button to confirm your selection. You can see the current ON/OFF status of LED display now. You can change its status by press UP/DOWN button. Then press ENTER button to confirm your selection. If you choose OFF, than the LED display will close without any operation for 1 min. Wait for 30 seconds, it will return to main interface. If you want back to main menu, please hold MENU button for 1 second.

4.4 LED display direction setting

Select DISP option, press ENTER button to confirm your selection. Select the DISP / DSIP by press UP/DOWN button. Press ENTER button to confirm your selection. Wait for 30 seconds, it will return to main interface. If you want back to main menu, please hold MENU button for 1 second.

4.5 Test setting

Select TEST option, press ENTER button to confirm your selection. The flash indicator will light up and the unit will test automatically. Wait for several seconds self-test, it will return to main interface. If you want back to main menu, please hold MENU button for 1 second.

4.6 Temperature

Select the LEMP, press ENTER button and the display will show the temperature of unit. Wait for 30 seconds, it will return to main interface. If you want back to main menu, please hold MENU button for 1 second.

4.7 vEr Check the version number

Select the VER, press ENTER button to confirm. You can see the current version number now (b 10/v 10) and check them by UP/DOWN. Wait for 30 seconds, it will return to main interface. If you want back to main menu, please hold MENU button for 1 second.

Channel Mode:

1 Channel Mode

Channel	Value	Function
1	0-5	Blackout
	6-250	Flash rate, slow to fast
	251-255	Continuous "Blinder" effect

2 Channel Mode

Channel	Value	Function
1	0-5	Blackout
	6-255	Flash rate, slow to fast
2 Flash intensity	0-5	Blackout
	6-255	Minimum to maximum

3 Channel Mode

Channel	Value	Function
1 Flash intensity	0-5	Blackout
	6-255	Minimum to maximum

2	0-255	0-650 ms@50 Hz AC, or 0-530 ms@60 Hz AC
Flash duration	0-5	No flash (single flash with ch. 1)
	6-255	0.5-25 Hz@50 Hz AC, or 0.6-30 Hz @60 Hz AC

4 Channel Mode

Channel	Value	Function
1	0-5	Blackout
	6-255	Minimum to maximum
Flash intensity		
2	0-255	0-650 ms@50 Hz AC, or 0-530 ms@60 Hz AC
Flash duration		
3	0-5	No flash (single flash with ch. 1)
	6-255	0.5-25 Hz@50 Hz AC, or 0.6-30 Hz @60 Hz AC
Flash rate		
4	0-5	No effect
	6-50	Ramp up
	51-100	Ramp down
	101-150	Ramp up-down
	151-200	Lightning
Special effects		

	201-255	Random
--	---------	--------

DMX CONTROL SUMMARY

Intensity

Flash intensity can be set from minimum (blackout) to maximum on 1-channel DMX modes, channel 2 in 2-channel DMX modes and channel 1 in the 3- and 4-channel DMX modes.

The maximum intensity can be reduced by selecting low power mode as described

Duration

Flash duration can be set from 0 to 650 ms on 50 Hz power supplies, or 0 to 530 ms on 60 Hz power supplies, on channel 2 in the 3- and 4-channel DMX modes. Flash duration is fixed in 1 channel DMX mode.

Rate

Flash rate can be set from 0 flashes per second to 17.5 flashes per second Hz on 50 Hz power supplies or from 0 to 20 flashes per second on 60 Hz power supplies, on channel 3 in the 3- and 4-channel DMX modes. Flash rate is also controllable in 1- and 2-channel DMX mode.

Built-in effects

Six programmed effects are available on channel 4 in the 4-channel DMX mode only. The effects may be altered using the intensity, duration, and rate controls.

- Ramp up: Light gradually increases in intensity, and then blacks out.

- Ramp down: Light flashes to full intensity, and then gradually fades.
- Ramp up-down: Light gradually increases and decreases.
- Lightning: The flashes simulate lightning. Duration is not adjustable.
- Random flash: Light flashes randomly with variable rate and intensity. Multiple units flash independently of each other.

Blind effect

The blinder effect, in which the light remains on for an extended period, is available in all DMX modes. In the 3- and 4-channel modes, the effect is achieved by the combination of flash duration and rate prevents pauses between flashes. For example, the blinder effect can be achieved with a flash duration of 0.25 seconds (250 ms) and a flash rate of 4 flashes per second, or a flash duration of 0.05 seconds (50 ms) and a flash rate of 20 flashes per second.

In 3- and 4-channel DMX mode, the intensity of the blinder effect is controllable on channel 1. LED power is electronically regulated to prevent the LED from overheating. The intensity falls as power is reduced.

Single Flash

To trigger single flashes, start with the intensity and flash rate at 0 and then set the intensity on channel 1. When the value of channel 1 is changed, the light will flash once with the programmed intensity, duration, and effect.

5. Remote Controller BF-04D

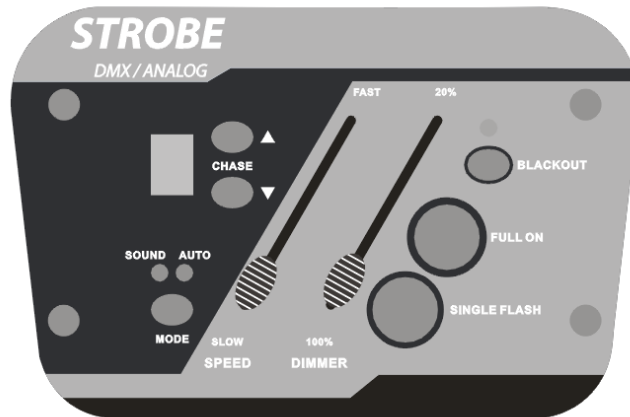
This section describes how to operate The LED-ST5000 with optional remote controls.

Noted: the better is using BF-04D under the 2-channel DMX mode.

How to connect

- When connected to the remote control BF-04D, the LED-ST5000 flashes with controlled chase and intensity when the Strobe button is pressed on the BF-04D.

- Pin 2 on the Mode DIP switch ON to choose BF-04D function.



The optional remote control for BF-04D provides the following:

- Slider controls for chase speed and intensity.
- Momentary push button control of the blinder effect, when the LED of BLACK OUT is on, that means chase is stop.
- Momentary push button for single flash and flash synchronization, when the LED indicator of BLACK OUT is on, that means chase is stop.
- Chase number toggle switch
- Chase mode toggle switch: AUTO/SOUND

DATA CONNECTION

Important: Do not terminate the data link when using the BF-04D!

The remote controller connects to The LED-ST5000 with a 3-pin XLR data cable. Additional LED-ST5000 may be connected in series, output to input. Note, however, that the data link must not be terminated as described DMX controllers and the LED-ST5000 should change to the remote control function.

OPERATION

Intensity

- Flash intensity is controlled from 20% of the maximum Intensity to 100% of the maximum Intensity with the DIMMER fader.
- The maximum intensity is reduced in low power mode, which is selected on pin 6 of the Mode DIP switch.

Chase Speed

- Chase speed is controlled from slow to fast with the SPEED fader.
- The BLACK OUT button toggles chase run on and off. The indicator diode

is on when chase stopped and off when chase running.

Chase Number

Toggle Chase number with Chase button and will be shown on the nixie tube.

Chase Mode

Toggle Chase running way with MODE button: AUTO/SOUND mode. The corresponding LED indicator will display the selected mode.

Blind Effect

The blinder effect is controlled with the FULL ON button. The intensity is the maximum Intensity. LED power is electronically regulated to prevent the LED from overheating.

Single Flash

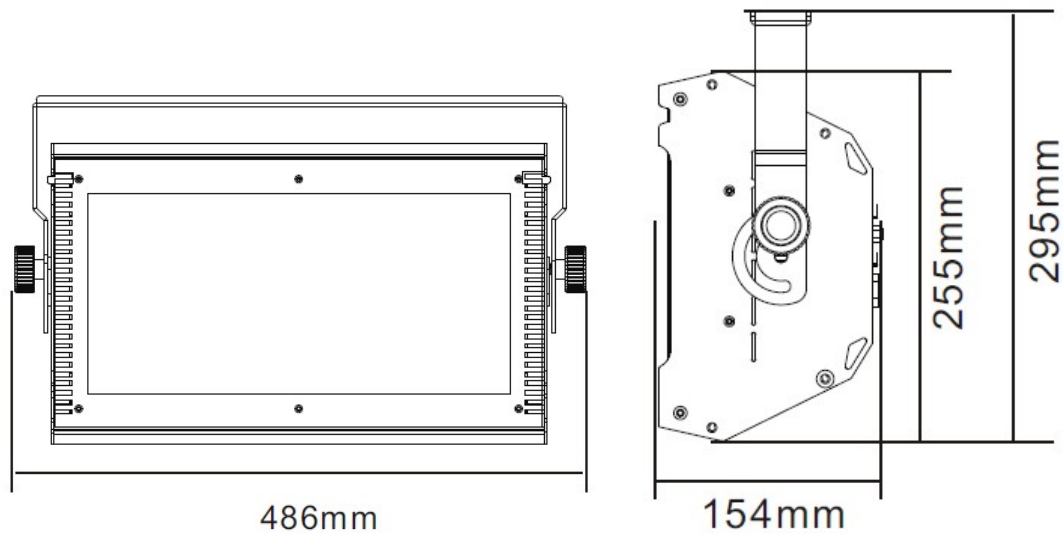
Single flashes can be achieved by pressing the SINGLE FLASH button. Switch on the "BLACK OUT" and indicator LED light up, to press the SINGLE FLASH button for triggering a single flash effect.

6. Technical Specifications

Approved AC power	100 - 240 V nominal, 50/60 Hz
Total Power consumption	1200W
AC mains power cable	1.5 m ²
LED	3w/297pcs white LED
Dimension	486x154x295mm
Weight8.0kg
Ambient air temperature40° C (104° F)
Short-circuit protection	15 amp

Safety Installation Distance

Minimum distance to combustible materials	0.5 m
Minimum distance to illuminated surfaces	10m



Innovation, Quality, Performance