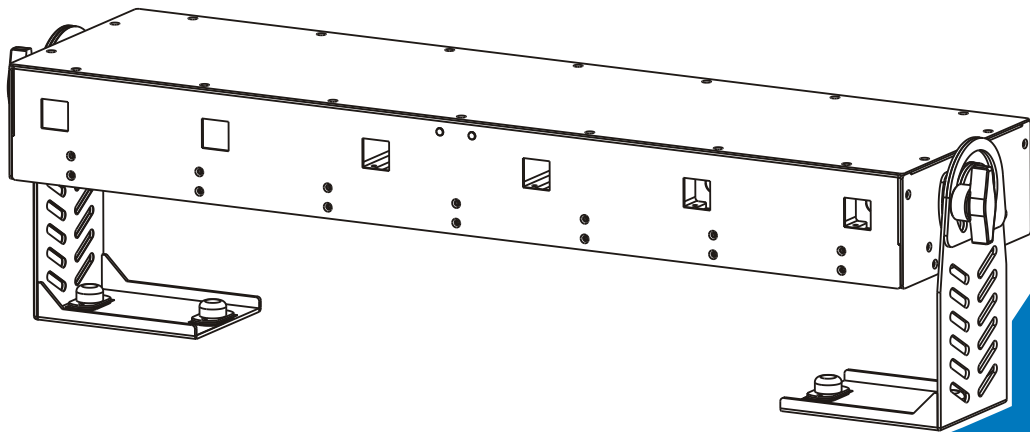




Laser Bar RGB

LS-608 RGB



User Manual

Please read the instruction carefully before use

MENU

1. Safety Instructions	2
2. Technical Specifications	3
3. Installation	3
4. How to set the fixture.....	4
4.1 Control Panel	4
4.2 Main Functions	4
5. How To Control The Fixture.....	8
6. DMX512 Configuration	8
7. Troubleshooting.....	10
8. Fixture Cleaning.....	11

1. Safety Instructions



WARNING

Please read the instructions carefully which includes important information about the installation, operation and maintenance.

**CAUTION - CLASS 3B
LASER RADIATION WHEN OPEN
AVOID DIRECT EYE EXPOSURE**

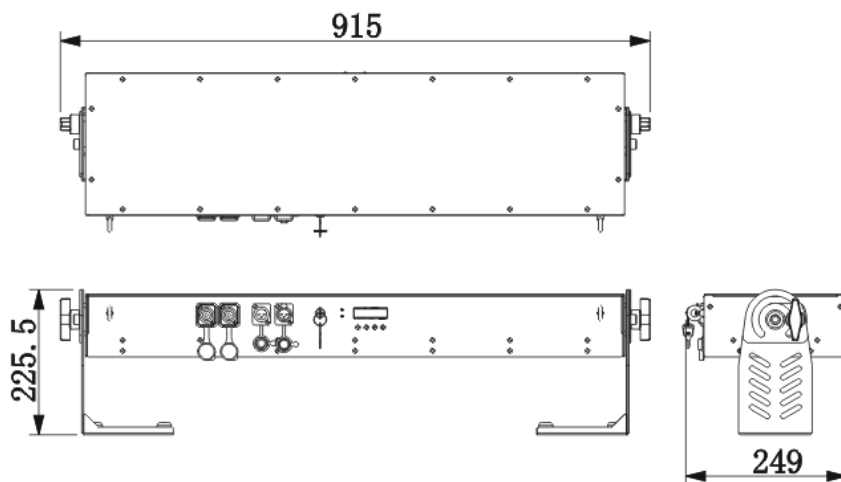
- Laser radiation avoids body exposure, especially for eye, it's easy to cause blindness. Please keep the safe distance at 30 meters from clothing or skin.
- Please keep this User Guide for future consultation. If you sell the unit to another user, be sure that they also receive this instruction booklet.
- Unpack and check carefully there is no transportation damage before using the unit.
- It's important to ground the yellow/green conductor to earth in order to avoid electric shock.
- Disconnect main power before replacement or servicing.
- The unit must be installed in a location with adequate ventilation, at least 50cm from adjacent surfaces. Be sure that no ventilation slots are blocked.
- Maximum ambient temperature is T_a : 40 degrees C. DO NOT operate it where the temperature is higher than this.
- Unit surface temperature may reach up to 65 degrees C. DO NOT touch the housing with bare-hands during its operation.
- In the event of a serious operating problem, stop using the unit immediately. Never try to repair the unit by yourself. Repairs carried out by unskilled people can lead to damage or malfunction. Please contact the nearest authorized technical assistance center. Always use the same type spare parts.
- DO NOT connect any dimmer.
- DO NOT touch any cables during operation as high voltage may cause electric shock.
- To prevent or reduce the risk of electrical shock or fire, do not expose the unit to rain or moisture.
- The housing and lenses must be replaced if they are visibly damaged.

2. Technical Specifications

- **DMX Control;**
- **Input Voltage:** AC 220V~240V, 50/60Hz
- **Power Consumption of Laser:** 800 mW x 6
- **Power Consumption** 105W
- **IP Rate** IP X4
- **Dimension/Weight:**

915x225.5 x 249mm, 13.8Kg

36"x8.9"x9.8" in, 30.4lbs



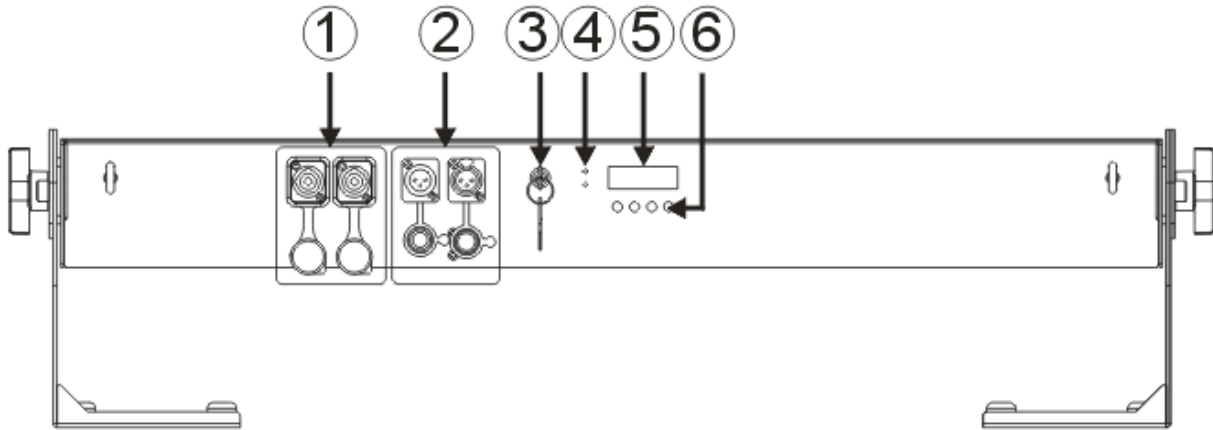
3. Installation

The unit should be mounted via its screw holes on the bracket. Always ensure that the unit is firmly fixed to avoid vibration and slipping while operating and make sure that the structure to which you are attaching the unit is secure and is able to support a weight of 10 times of the fixtures weight. Always use a safety cable that can hold 12 times of the weight of the fixture when installing.

The equipment must be installed by professionals and it must be installed in a place where is out of the reach of people and no one can pass by or under it. The unit must be installed 0 ~ 30 meters from adjacent surfaces.

4. How to set the fixture

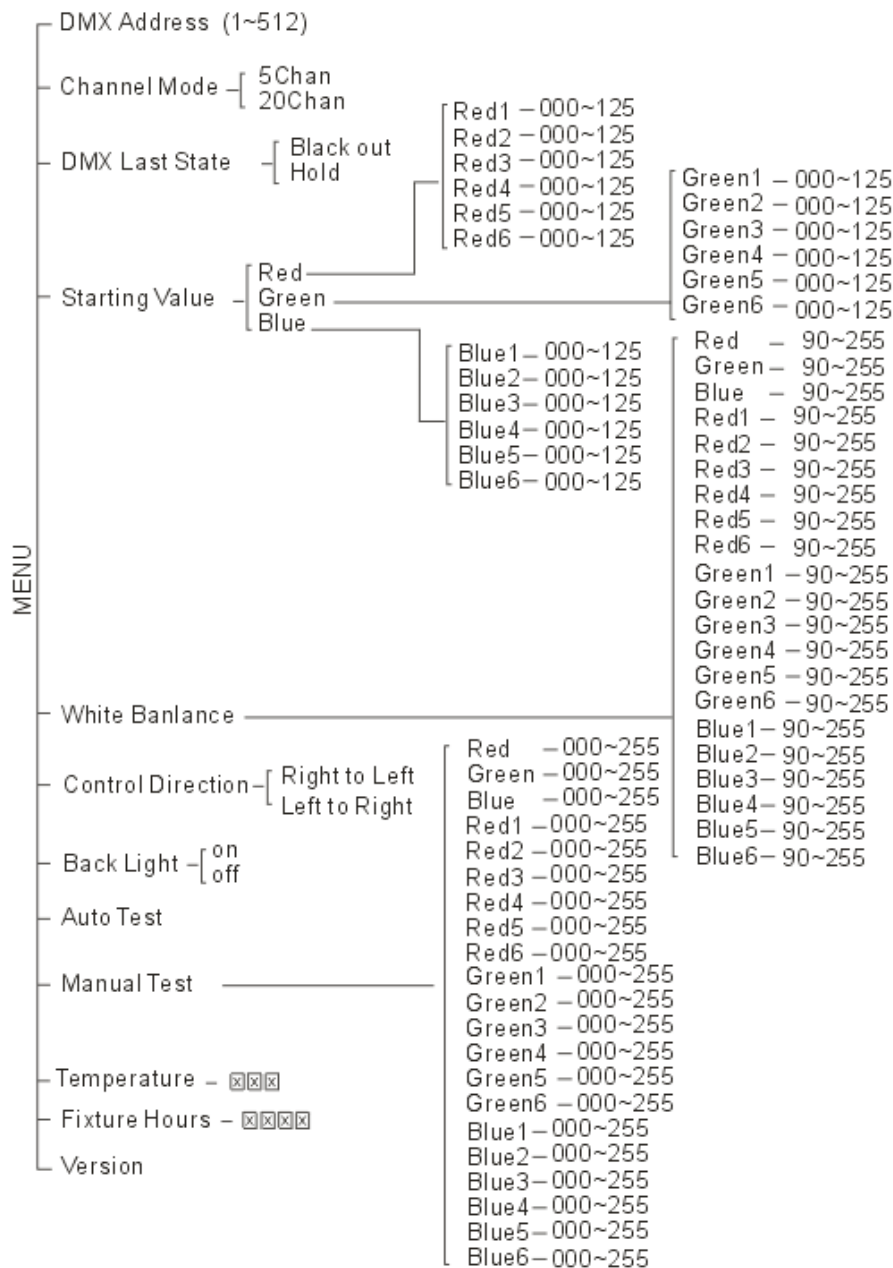
4.1 Control Panel



- ① Power Input /Output
- ② DMX IN/OUT
- ③ Key switch
- ④ LED Indicator
- ⑤ Display
- ⑥ Menu

4.2 Main Functions

To select any functions, press the **MENU** button until the required one is shown on the display. Select the function by the **ENTER** button and the display will blink. Use the **DOWN/UP** button to change the mode. Once the required mode has been selected, press the **ENTER** button to setup or it will automatically return to the main functions without any change after idling one minute. Back to the functions without any change press the **MENU** button.



DMX Address

Select the DMX Address, press the **ENTER** button and the display will blink. Use the **DOWN/UP** button to change the DMX 512 address. Once the address has been selected, press the **ENTER** button to save or automatically exit menu mode without any change after one minute. Back to the previous functions without any change press the **MENU** button.

Channel mode

Select the Channel Mode, press the **ENTER** button and the display will blink. Use the **DOWN/UP** button

to select the 5CH/20CH. Once select the required mode, press the **ENTER** button to save or automatically exit menu mode without any change after one minute. To go back to the functions without any change press the **MENU** button.

DMX Last State

Select the DMX Last State (The state when the fixture out of signal), press the **ENTER** button and the display will blink. Use the **DOWN/UP** button to select Blackout (Blackout the output) or Hold (Hold the last state). Once select the required mode, press the **ENTER** button to save or automatically exit menu mode without any change after one minute. To go back to the functions without any change press the **MENU** button.

Starting Value

Select the Starting Value, press the **ENTER** button and the display will blink. Use the **DOWN/UP** button to select Red/Green/Blue and set the value of six lasers for Red1-Red6/Green1- Green6/Blue1- Blue from 000 to 125. Once select the required mode, press the **ENTER** button to save or automatically exit menu mode without any change after one minute. To go back to the functions without any change press the **MENU** button.

White Balance

Select the White Balance, press the **ENTER** button and the display will blink. Use the **DOWN/UP** button to select Red /Green/ Blue/ Red1-Red6/Green1- Green6/Blue1- Blue6 and set the value from 90 to 255. Once select the required mode, press the **ENTER** button to save or automatically exit menu mode without any change after one minute. To go back to the functions without any change press the **MENU** button.

Control Direction

Select the Control Direction press the **ENTER** button and the display will blink. Use the **DOWN/UP** button to select Right to Left or Left to Right. Once select the required mode, press the **ENTER** button to save or

automatically exit menu mode without any change after one minute. To go back to the functions without any change press the **MENU** button.

Auto Test

Select the Back Light, press the **ENTER** button. The fixture will test by itself automatically. Back to the functions without any change press **MENU** button again.

Manual Test

Select the Manual Test, press the **ENTER** button and the display will blink. Use the **DOWN/UP** button to select Red /Green/ Blue/ /Dimmer/Effect Red1-Red6/Green1- Green6/Blue1- Blue6 and set the value from 000 to 255. Once select the required mode, press the **ENTER** button to save or automatically exit menu mode without any change after one minute. To go back to the functions without any change press the **MENU** button.

Temperature

Select the Temperature, press the **ENTER** button and the display will show the current running temperature of the fixture. To go back to the functions press the **MENU** button again.

Fixture Hours

Select the Fixture Hours, press the **ENTER** button and the display will show the running time of the fixture. To go back to the functions press the **MENU** button.

Software Version

Select the Software Version, press the **ENTER** button and the display will show the version of software of the fixture. To go back to the functions press the **MENU** button again.

5. How To Control The Fixture

1. Control by DMX Console;

Use universal DMX controller to control the units, you have to set DMX address from 1 to 512 channel so that the units can receive DMX signal.

6. DMX512 Configuration

5 Channel Mode

Channel	Value	Function		
1 R	0-255	Dimmer 0 → 100%		
2 G	0-255	Dimmer 0 → 100%		
3 B	0-255	Dimmer 0 → 100%		
4 Dimmer	0-255	Total Dimmer 0 → 100%		
5 Effect	1-10	Speed 1	↓ Slow to fast	Effect 1
	11-20	Speed 2		
	21-30	Speed 3		
	31-40	Speed 4		
	41-51	Speed 5		
	52-62	Speed 1	↓ Slow to fast	Effect 2
	63-72	Speed 2		
	73-82	Speed 3		
	83-92	Speed 4		
	93-101	Speed 5		
	102-112	Speed 1	↓ Slow to fast	Effect 3
	113-123	Speed 2		
	123-132	Speed 3		
	133-142	Speed 4		
	143-152	Speed 5		
	153-163	Speed 1	↓ Slow to fast	Effect 4
	164-173	Speed 2		
	174-183	Speed 3		
	184-193	Speed 4		
	194-203	Speed 5		
204-214	Speed 1	↓ Slow to fast	Effect 5	
215-224	Speed 2			
225-234	Speed 3			
235-244	Speed 4			
245-255	Speed 5			

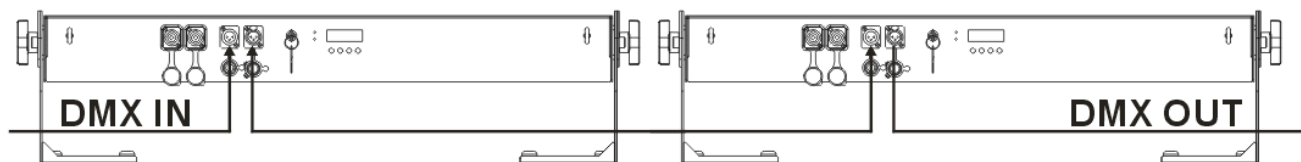
20 Channel Mode

Channel	Value	Function
1 R	0-255	●○○○○○ Dimmer 0 → 100%
2 G	0-255	●○○○○○ Dimmer 0 → 100%
3 B	0-255	●○○○○○ Dimmer 0 → 100%
4 R	0-255	○●○○○○ Dimmer 0 → 100%
5 G	0-255	○●○○○○ Dimmer 0 → 100%
6 B	0-255	○●○○○○ Dimmer 0 → 100%
7 R	0-255	○○●○○○ Dimmer 0 → 100%
8 G	0-255	○○●○○○ Dimmer 0 → 100%
9 B	0-255	○○●○○○ Dimmer 0 → 100%
10 R	0-255	○○○●○○ Dimmer 0 → 100%
11 G	0-255	○○○●○○ Dimmer 0 → 100%
12 B	0-255	○○○●○○ Dimmer 0 → 100%
13 R	0-255	○○○○●○ Dimmer 0 → 100%
14 G	0-255	○○○○●○ Dimmer 0 → 100%
15 B	0-255	○○○○●○ Dimmer 0 → 100%
16 R	0-255	○○○○○● Dimmer 0 → 100%
17 G	0-255	○○○○○● Dimmer 0 → 100%
18 B	0-255	○○○○○● Dimmer 0 → 100%
19 Dimmer	0-255	Total Dimmer 0 → 100%

20 Effect	1-10	Speed 1	↓ Slow to fast	Effect 1
	11-20	Speed 2		
	21-30	Speed 3		
	31-40	Speed 4		
	41-51	Speed 5		
	52-62	Speed 1	↓ Slow to fast	Effect 2
	63-72	Speed 2		
	73-82	Speed 3		
	83-92	Speed 4		
	93-101	Speed 5		
	102-112	Speed 1	↓ Slow to fast	Effect 3
	113-123	Speed 2		
	123-132	Speed 3		
	133-142	Speed 4		
	143-152	Speed 5		
	153-163	Speed 1	↓ Slow to fast	Effect 4
	164-173	Speed 2		
	174-183	Speed 3		
	184-193	Speed 4		
	194-203	Speed 5		
204-214	Speed 1	↓ Slow to fast	Effect 5	
215-224	Speed 2			
225-234	Speed 3			
235-244	Speed 4			
245-255	Speed 5			

7. DMX 512 Connections

Connection mode:



1. Connect the fixture together in a “daisy chain” by XLR plug cable from the output of the fixture to the input of the next fixture. The cable cannot be branched or split to a “Y” cable.
2. The DMX output and input connectors are pass-through to maintain the DMX circuit when one of the units’ power is disconnected.
3. The last units DMX cable has to be terminated with a 120 ohm 1/4W resistor between pin 2 (DMX-) and pin 3 (DMX+) of a 3-pin XLR-plug and plug it in the DMX-output of the last unit.
4. Each fixture unit needs to have an address set to receive the data sent by the controller. The address number is between 0 - 511 (usually 0 & 1 are equal to 1).
5. 3 pin XLR connectors are more popular than 5 pins XLR.
3 pin XLR: Pin 1: GND, Pin 2: Negative signal (-), Pin 3: Positive signal (+)
5 pin XLR: Pin 1: GND, Pin 2: Negative signal (-), Pin 3: Positive signal (+)
Pin 4/Pin 5: Not used.

7. Troubleshooting

Following are a few common problems that may occur during operation. Here are some suggestions for easy troubleshooting:

A. The fixture does not work, no light

1. Check the connection of power and main fuse.

B. Not responding to DMX controller

1. DMX LED should be on. If not, check DMX cables to see if linked properly.
2. If the DMX LED is on and no response to the controller, check the address settings and DMX polarity.

3. If you have intermittent DMX signal problems, check the cables of the fixture or the previous one.
4. Try another DMX controller.

8. Fixture Cleaning

The cleaning must be carried out periodically to optimize light output. Cleaning frequency depends on the environment in which the fixture operates: damp, smoky or particularly dirty surrounding can cause greater accumulation of dirt on the unit's optics.

- Clean with soft cloth using normal glass cleaning fluid.
- Always dry the parts carefully.
- Clean the external optics at least every 30 days.

Declaration of Conformity

We declare that our products (lighting equipments) comply with the following specification and bears CE mark in accordance with the provision of the Electromagnetic Compatibility (EMC) Directive 89/336/EEC.

EN55103-1: 2009+A1:2012; EN55103-2: 2009;
EN61000-3-2: 2014; EN61000-3-3: 2013.

&

Harmonized Standard

EN 60598-1:2015; EN 60598-2-17:1989 + A2:1991;
EN 62471:2008; EN 62493: 2010
Safety of household and similar electrical appliances
Part 1: General requirements

